



Data Sheet and Surveyor's Report for Buck Island Ranch Monitoring Well Benchmarks

Description: **Monitoring Well "BUCK 16"**

Date: June 17, 2005

Location: Buck Island Ranch, Highlands County, Florida

Project Results

Benchmarks established:

1. **"BUCK 16B"**: Top of existing 1.5" steel pipe
 - a. Elevation: **7.9731 m**
2. **"BUCK 16C"**: Top of existing 3" PVC monitoring well casing
 - a. Elevation: **8.8355 m**

Party Chief: **G. Royer**

Field Book: **154**, Pages **1 - 45**

Survey Date: **February – May 2005**

Bench Mark: **"H-437"** El. **9.395 m / 30.82 ft.**
"J-437" El. **11.555 m / 37.91 ft.**

Vertical Datum: **NAVD1988**

NGVD 1929 Offset: + **1.210 ft.** (add this value to convert to NGVD 1929)

Comments:

The offset value referred to as "NGVD 1929 Offset" was derived by subtracting the published NAVD 1988 elevation from the published NGVD 1929 elevation for NGS Benchmarks "H-437 and J-437".

G.P.S. POSITION (NAD 83, Florida East Zone, Sub-meter):

Well Site: **"BUCK 16C"** N = **1021864** E = **598999**

NAVD 88 - North American Vertical Datum of 1988

NGVD29 -National Geodetic Vertical Datum of 1929

NAD 83 (Horizontal Datum) North American Datum of 1983

*Note: See the SFWMD Benchmark Description Sheet for additional information

SURVEYOR'S REPORT

Vertical Control Survey

Hyatt Survey Services, Inc. operating under sub-contract to George F Young, Inc. and the South Florida Water Management District was tasked with the execution of a Vertical Control Survey in support of the District's Benchmark Densification and Monitoring Well Elevation Initiatives.

Purpose

The purpose of this survey was to establish benchmarks at each of 22 monitoring wells on the Buck Island Ranch Facility in Highlands County, Florida. A minimum of two (2) benchmarks were established at each well.

1. **"A"** benchmarks are NGS Class "C", "poured-in-place," concrete monuments with SFWMD bronze disks set flush with the ground.

2. “B” benchmarks were set on the top of existing 1.5” steel pipes at each well site. Each pipe protrudes approximately 3” above the surrounding ground.
3. “C” benchmarks were set on the top of the 3” PVC well casing at each well site.

Elevations were determined by digital differential leveling performed in accordance with the Minimum Technical Standards (MTS) for Vertical Control Surveys as set forth in Chapter 61G17-6 FAC and the requirements for Second-Order Class II Vertical Control Surveys as established by the Federal Geodetic Control Sub-committee.

Vertical Control

All elevations are based on National Geodetic Survey Benchmarks “H-437” and “J-437” both Second Order, Class I vertical control monuments. The vertical datum used was NAVD 88 (North American Vertical Datum of 1988).

Level Lines

All level runs were double-run under differing atmospheric conditions and meet or exceed the formula of the Square Root in miles of the level run multiplied by 0.03’. A Leica DNA 3003 digital level and two 3 meter aluminum bar-coded “Invar Rods” with aluminum struts were utilized to obtain all leveling data.

The processing of the field data was performed by and under the supervision of Mr. Ronnie Taylor, Florida’s NGS Advisor. NGS’ “WDDPROC” leveling software was utilized to process the field data and to create the NGS benchmark descriptions.

Prepared by: **Hyatt Survey Services, Inc.**
11007 8th Avenue East
Bradenton, Florida 34212
(941) 748-4693

Prepared for: **South Florida Water Management District**
3301 Gun Club Road
West Palm Beach, Florida 33406

Notes:

- 1) This survey meets all applicable requirements of the Florida Minimum Technical Standards as contained in Chapter 61G17-6 FAC.
- 2) Not valid without the signature and the original raised seal of the Florida Surveyor and Mapper in responsible Charge.
- 3) Additions or deletions to this data by anyone other than the signing party are prohibited without written consent of the signing party.

Hyatt Survey Services, Inc.
Russell P. Hyatt, PSM, VP
Professional Surveyor and Mapper
License Number 5303

Signed: _____

Seal:

BUCK016



Prime Contractor: George F. Young, Inc.
Subcontractor: Hyatt Survey Services, Inc.
Date of Photo: June 15, 2005
View: Well Site

BUCK016B



Prime Contractor: George F. Young, Inc.
Subcontractor: Hyatt Survey Services, Inc.
Date of Photo: June 15, 2005
View: Pipe

BUCK016C



Prime Contractor: George F. Young, Inc.
Subcontractor: Hyatt Survey Services, Inc.
Date of Photo: June 15, 2005
View: Well

KEECHIBEE MOUNT WELLS

4/26/5

+	DIST	-	DIST
1.5843	19.92		
1.1296	19.92	1.1511	40.07
COLL = -1.3		1.5626	39.87

DESC. S. BYER
 ROD A (B) 10 RE
 ROD B (A) 10 PITCHER
 ROD A 77° 10-15 WINDS
& PARTLY CLOUDY

+	DIST	-	DIST
1.7948	45.33		
1.4933	43.07	1.6621	45.33
1.5392	50.26	1.5574	42.71
1.6273	43.03	1.6267	41.13
1.5848	48.10	1.5717	43.03
0.8872	46.37	0.8817	47.87
1.4545	45.60	1.4779	46.26
1.4462	50.65	1.4701	46.39 + 0.1319
1.6787	53.38	1.6345	50.62
1.6085	53.90	1.6114	53.73 + 0.0168
1.5033	41.40	1.4527	54.02
1.4811	35.00	1.5548	41.51 + 0.1211
(1.8285 c-22 26.45)		1.2899	34.62
1.8287	26.45	(1.9520 c-22 21.53)	
1.5083	22.47	1.8275	26.54
		1.6815	22.74

DESC
 BUCK 13-A CM, (TP-13) SSN #5
 TP-1
 TP-2 BUCK 14-B (ROD) SSN #6
 TP-3
 TP-4 BUCK 15-A (CM) SSN #7
 TP-5
 TP-6
 TP-7 BUCK 16-B (ROD) SSN #8
 TP-8
 TP-9 BUCK 17-A (CM) SSN #9
 TP-10
 TP-11 BUCK 18-B (ROD) SSN #10
 TP-12
 TP-13 BS@12 & FS@13 DELETE
 (CODE #22)
 TP-14
 TP-15 BUCK-19A (CM) SSN #11
 END TEMP
 @ 85°F

CHECKED MONT. WELLS

5/20/15

31

#	DIST		DIST
1.4814	43.27		
1.7663	43.33	1.4381	42.86
1.4105	12.28	1.8153	43.30
1.4276	12.18	1.3891	12.68
END SECTION		1.5405	13.19
1.5528	35.92		
1.4583	54.71	1.4021	35.67
END SECTION		1.5784	56.77
1.5509	41.23	1.8161	42.57
1.9861	44.73	1.8161	42.57
END SECTION		1.7936	45.48

DESC	AT	S. RYER
	(B) 9	D. REE
BUCK 16-B	(A) 9	D. VYES
TP-1		
TP-2		
TP-3		
BUCK 15-A	SSN-07	
BUCK 15-A	" "	
TP-1		
BUCK 14-B	SSN 06	
BUCK 14-B	" "	
TP-1		
BUCK 13-A	SSN-05	

Identifi cation_I nformati on:

Ci tati on:

Ci tati on_I nformati on:

Origi nator: George F. Young, Inc.
Publ icati on_Date: Unknown
Publ icati on_Ti me: Unknown
Ti tle: Buck Isl and Ranch Moni tori ng Well Benchmarks
Publ icati on_I nformati on:
Publ icati on_PL ace: Not publ ished
Publ isher: None

Descri pti on:

Abstr act:

South Fl ori da Water Management Di stri ct
Buck Isl and Ranch Moni tori ng Well Benchmarks

Purpo se:

To establi sh NAVD 88 and NGVD 29 elevati ons and
benchmarks at each of twenty two well si tes.

Ti me_Period_of_Content:

Ti me_Period_I nformati on:

Range_of_Dates/Ti mes:
Bei nni ng_Date: 20050217
Endi ng_Date: 20050617

Currentness_Reference: Pendi ng NGS Approval

Status:

Progress: In work
Mai ntenance_and_Update_Frequency: Unknown

Spati al_Domai n:

Boundi ng_Coordi nates:

West_Boundi ng_Coordi nate: -081° 13' 03"
East_Boundi ng_Coordi nate: -080° 12' 06"
North_Boundi ng_Coordi nate: +27° 08' 41"
South_Boundi ng_Coordi nate: +27° 07' 50"

Keywords:

Theme:

Theme_Keyword_Thesaurus: None
Theme_Keyword: Record Survey
Theme_Keyword: Well Si te

PL ace:

PL ace_Keyword_Thesaurus: None
PL ace_Keyword: S. F. W. M. D. Well L28WFUVM
PL ace_Keyword: Sec. 18, Twp. 48 S., Rge. 33 E.
PL ace_Keyword: Hendry County, Fl ori da

Access_Constrai nts: None

Use_Constrai nts: None

Poi nt_of_Contact:

Contact_I nformati on:

Contact_Person_Pri mary:
Contact_Person: Howard Ehmke
Contact_Organi zati on: South Fl ori da Water Management

Di stri ct

Contact_Positi on: Professi onal Surveyor & Mapper
Contact_Address:
Address_Type: maili ng and phys ical address
Address: 3301 Gun Cl ub Road
Ci ty: West Palm Beach
State_or_Provi nce: Fl ori da
Postal_Code: 33406
Country: USA
Contact_Voi ce_Tel ephone: (561) 686-8800, Ext. 4636
Contact_Facsi mi le_Tel ephone: (561) 681-6265
Contact_El ectroni c_Mai l_Address: hehmke@sfwmd.gov
Hours_of_Servi ce: 8:00 am to 5:00 pm EST

Data_Qual i ty_I nformati on:

Attribute_Accuracy:

Attribute_Accuracy_Report:

This survey was prepared using sub-meter GPS and DNA 3003 Leveling instruments. The horizontal location of the well and benchmark was performed using sub-meter GPS. The vertical data was collected using a Leica DNA 3003 Level. Coordinates are based on the Florida State Plane Coordinate System, East Zone, NAD 83/90. Elevations are based on NAVD 88

Logical_Consistency_Report:

Horizontal data was established using Coastguard corrected sub-meter GPS
Vertical data was established using control points H-437 and J-437.

Completeness_Report:

Horizontal location taken at approximate center of well.
Site Benchmark is a 3" bronze disk set in top of poured in place 48"x12" round concrete monument
THE MARK IS ABOUT 15 MI SOUTHEAST OF LAKE PLACID, 12.5 MI NORTHWEST OF LAKEPORT IN SECTION 25, TOWNSHIP 38 SOUTH, RANGE 31 EAST. TO REACH THE MARK FROM THE JUNCTION OF U. S. HIGHWAY 27 AND STATE ROAD 70, GO EAST ON STATE ROAD 70 FOR 7.16 MI TO JC DURRANCE ROAD (A DIRT ROAD) ON THE RIGHT, TURN RIGHT AND GO SOUTH FOR 4.51 MI TO THE END OF JC DURRANCE ROAD AND A TEE INTERSECTION WITH UNNAMED DIRT ROAD. TURN LEFT AND GO EAST FOR 0.14 MI TO A SMALL BRIDGE OVER A CANAL. CROSS THE BRIDGE AND CONTINUE EAST FOR 0.46 MI TO A GATE ON THE RIGHT. TURN RIGHT INTO A LARGE FENCED PASTURE. THE MARK IS LOCATED 2960 FT EAST AND 2029 FT SOUTH FROM THE GATE. THE MARK IS LOCATED ON THE SOUTH SIDE OF A MONITORING WELL ENCLOSED BY A 4 FT WOODEN FENCE. THE MARK IS A 1.5 IN STEEL PIPE, 1 FT INSIDE THE SOUTH FENCE, SET 3 IN. ABOVE THE SURROUNDING GROUND. THE NAD 1983, FLORIDA EAST ZONE, STATE PLANE COORDINATE 1021858 FT, E=598999
NONE

THE MARK IS ABOUT 15 MI SOUTHEAST OF LAKE PLACID, 12.5 MI NORTHWEST OF LAKEPORT IN SECTION 25, TOWNSHIP 38 SOUTH, RANGE 31 EAST. TO REACH THE MARK FROM THE JUNCTION OF U. S. HIGHWAY 27 AND STATE ROAD 70, GO EAST ON STATE ROAD 70 FOR 7.16 MI TO JC DURRANCE ROAD (A DIRT ROAD) ON THE RIGHT, TURN RIGHT AND GO SOUTH FOR 4.51 MI TO THE END OF JC DURRANCE ROAD AND A TEE INTERSECTION WITH UNNAMED DIRT ROAD. TURN LEFT AND GO EAST FOR 0.14 MI TO A SMALL BRIDGE OVER A CANAL. CROSS THE BRIDGE AND CONTINUE EAST FOR 0.46 MI TO A GATE ON THE RIGHT. TURN RIGHT INTO A LARGE FENCED PASTURE. THE MARK IS LOCATED 2960 FT EAST AND 2027 FT SOUTH FROM THE GATE. THE MARK IS A 3 IN PVC MONITORING WELL PIPE INSIDE A STEEL BOX SURROUNDED BY A 4 FT WOODEN FENCE. THE MARK IS SET 4 FT ABOVE THE SURROUNDING GROUND. THE NAD 1983, FLORIDA EAST ZONE, STATE PLANE COORDINATE FOR THE

Buck16.met
 1021864 FT, E=598999 FT. Notable Land
 NONE
 N270841
 W0811033
 Positional_Accuracy:
 Horizontal_Positional_Accuracy:
 Horizontal_Positional_Accuracy_Report:
 The horizontal positions were established with
 sub-meter GPS
 Vertical_Positional_Accuracy:
 Vertical_Positional_Accuracy_Report:
 Second Order, Class II
 The methodology was approved by Mr. Ronnie Taylor,
 State, Geodetic Advisor
 The NAVD 88 elevations established for this survey
 was determined by using the published values for
 benchmark H-437 and J-437.
 Lineage:
 Process_Step:
 Process_Description:
 Horizontal data was established using Coastguard
 corrected sub-meter GPS
 Vertical data was established using control
 points H-437 and J-437.
 Process_Date: 20050617
 Metadata_Reference_Information:
 Metadata_Date: 20050617
 Metadata_Contact:
 Contact_Information:
 Contact_Person_Primary:
 Contact_Person: Catherine A. Pollak
 Contact_Organization: George F. Young, Inc.
 Contact_Position: Project Surveyor
 Contact_Address:
 Address_Type: mailing and physical address
 Address:
 299 Dr. Martin Luther King, Jr.
 Street, North
 City: St. Petersburg
 State_or_Province: Florida
 Postal_Code: 33701
 Country: USA
 Contact_Voice_Telephone: (727) 822-4317
 Contact_Facsimile_Telephone: (727) 822-2919
 Contact_Electronic_Mail_Address: pollak@georgefyoung.com
 Hours_of_Service: 8:00 am to 5:00 pm EST
 Metadata_Standard_Name: FGDC Content Standards for Digital Geospatial
 Metadata
 Metadata_Standard_Version: 19980601

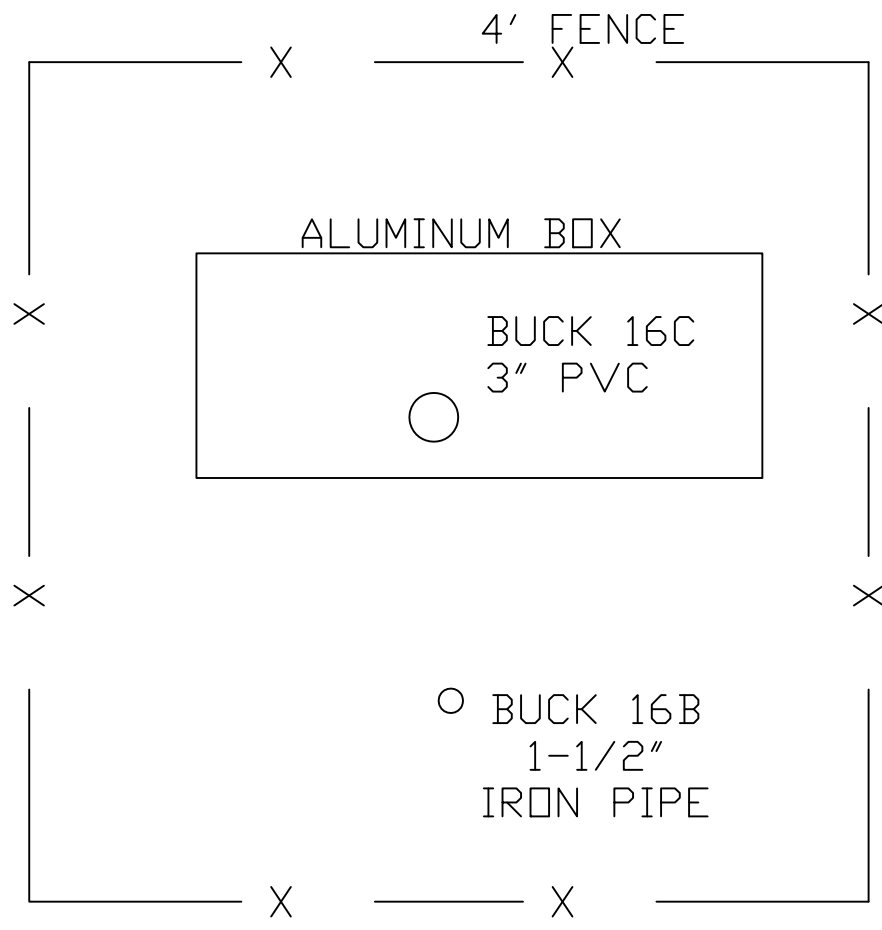


SOUTH FLORIDA WATER MANAGEMENT DISTRICT

Rev. 4/01

COUNTY: HIGHLANDS		PROJECT: BUCK ISLAND RANCH		DESIGNATION: BUCK 16B	
SECTION 25		TOWNSHIP 38 SOUTH		RANGE 31 EAST	
GEOGRAPHIC INDEX OF QUAD					
Established by <u>HYATT SURVEY SERVICES</u> ____ Recovered by			NAME OF QUADRANGLE: BRIGHTON NW		
SURVEYOR <u>R. HYATT</u> DATE <u>06/16/2005</u>			FIELD BOOK <u>154</u> PAGE <u>1 - 45</u>		
HORIZONTAL DATUM: 1927 1983 Other _____ (circle one) ZONE E or W					
VERTICAL DATUM: MSL 1929 1988 Other _____ (circle one)					
CONTROL ACCURACY: HORIZONTAL 1 2 3 4th _____ (circle one) VERTICAL 1 2 3					
STATE PLANE COORDINATES		X = 598999 FT	Y = 1021858 FT	EL. = 7.9731 m	
LATITUDE : N270841			LONGITUDE: W0811033		
DESCRIPTION					
<p>To Reach:</p> <p>THE MARK IS ABOUT 15 MI SOUTHEAST OF LAKE PLACID, 12.5 MI NORTHWEST OF LAKEPORT IN SECTION 25, TOWNSHIP 38 SOUTH, RANGE 31 EAST.</p> <p>TO REACH THE MARK FROM THE JUNCTION OF U.S. HIGHWAY 27 AND STATE ROAD 70, GO EAST ON STATE ROAD 70 FOR 7.16 MI TO JC DURRANCE ROAD (A DIRT ROAD) ON THE RIGHT, TURN RIGHT AND GO SOUTH FOR 4.51 MI TO THE END OF JC DURRANCE ROAD AND A TEE INTERSECTION WITH UNNAMED DIRT ROAD. TURN LEFT AND GO EAST FOR 0.14 MI TO A SMALL BRIDGE OVER A CANAL. CROSS THE BRIDGE AND CONTINUE EAST FOR 0.46 MI TO A GATE ON THE RIGHT. TURN RIGHT INTO A LARGE FENCED PASTURE. THE MARK IS LOCATED 2960 FT EAST AND 2029 FT SOUTH FROM THE GATE.</p> <p>THE MARK IS LOCATED ON THE SOUTH SIDE OF A MONITORING WELL ENCLOSED BY A 4 FT WOODEN FENCE. THE MARK IS A 1.5 IN STEEL PIPE, 1 FT INSIDE THE SOUTH FENCE, SET 3 IN. ABOVE THE SURROUNDING GROUND. THE NAD 1983, FLORIDA EAST ZONE, STATE PLANE COORDINATE FOR THE MARK IS N=1021858 FT, E=598999 FT.</p> <p>Notable Land marks: NONE</p>					

SKETCH: SEE ATTACHED SKETCH



TITLE
 SKETCH OF BUCK 16 MONITORING WELL

Hyatt Survey Services, Inc.
 Geographic Data Specialists
 11007 8TH AVENUE EAST BRADENTON, FLORIDA 34212
 PH. (941) 748-4693 FAX (941) 744-1643 LB No.: 7203

JOB NUMBER
 12-0538

REVISION

SCALE
 NOT TO SCALE

DATE
 6/17/05

DRAWN BY
 RSF

FILE NAME
 BUCK16.DWG

SHEET
 1 OF 1

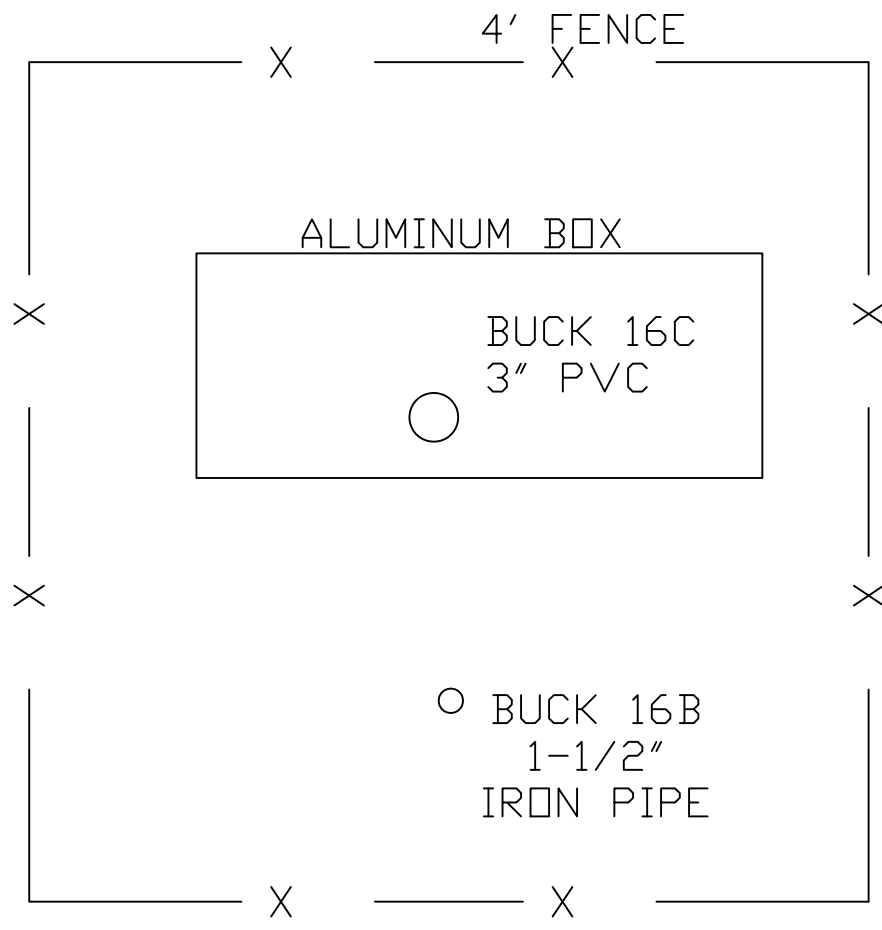


SOUTH FLORIDA WATER MANAGEMENT DISTRICT

Rev. 4/01

COUNTY: HIGHLANDS		PROJECT: BUCK ISLAND RANCH	DESIGNATION: BUCK 16C
SECTION 25		TOWNSHIP 38 SOUTH	RANGE 31 EAST
GEOGRAPHIC INDEX OF QUAD			
Established by <u>HYATT SURVEY SERVICES</u> ____ Recovered by		NAME OF QUADRANGLE: BRIGHTON NW	
SURVEYOR <u>R. HYATT</u> DATE <u>06/16/2005</u>		FIELD BOOK <u>154</u> PAGE <u>1 - 45</u>	
HORIZONTAL DATUM: 1927 1983 Other _____ (circle one) ZONE E or W			
VERTICAL DATUM: MSL 1929 1988 Other _____ (circle one)			
CONTROL ACCURACY: HORIZONTAL 1 2 3 4th _____ (circle one) VERTICAL 1 2 3			
STATE PLANE COORDINATES	X = 598999 FT	Y = 1021864 FT	EL. = 8.8355 m
LATITUDE : N270841		LONGITUDE: W0811033	
DESCRIPTION			
<p>To Reach:</p> <p>THE MARK IS ABOUT 15 MI SOUTHEAST OF LAKE PLACID, 12.5 MI NORTHWEST OF LAKEPORT IN SECTION 25, TOWNSHIP 38 SOUTH, RANGE 31 EAST.</p> <p>TO REACH THE MARK FROM THE JUNCTION OF U.S. HIGHWAY 27 AND STATE ROAD 70, GO EAST ON STATE ROAD 70 FOR 7.16 MI TO JC DURRANCE ROAD (A DIRT ROAD) ON THE RIGHT, TURN RIGHT AND GO SOUTH FOR 4.51 MI TO THE END OF JC DURRANCE ROAD AND A TEE INTERSECTION WITH UNNAMED DIRT ROAD. TURN LEFT AND GO EAST FOR 0.14 MI TO A SMALL BRIDGE OVER A CANAL. CROSS THE BRIDGE AND CONTINUE EAST FOR 0.46 MI TO A GATE ON THE RIGHT. TURN RIGHT INTO A LARGE FENCED PASTURE. THE MARK IS LOCATED 2960 FT EAST AND 2027 FT SOUTH FROM THE GATE.</p> <p>THE MARK IS A 3 IN PVC MONITORING WELL PIPE INSIDE A STEEL BOX SURROUNDED BY A 4 FT WOODEN FENCE. THE MARK IS SET 4 FT ABOVE THE SURROUNDING GROUND. THE NAD 1983, FLORIDA EAST ZONE, STATE PLANE COORDINATE FOR THE MARK IS N=1021864 FT, E=598999 FT.</p> <p>Notable Land marks: NONE</p>			

SKETCH: SEE ATTACHED SKETCH



TITLE
 SKETCH OF BUCK 16 MONITORING WELL

Hyatt Survey Services, Inc.
 Geographic Data Specialists
 11007 8TH AVENUE EAST BRADENTON, FLORIDA 34212
 PH. (941) 748-4693 FAX (941) 744-1643 LB No.: 7203

JOB NUMBER
 12-0538

REVISION

SCALE
 NOT TO SCALE

DATE
 6/17/05

DRAWN BY
 RSF

FILE NAME
 BUCK16.DWG

SHEET
 1 OF 1

The NGS Data Sheet

See file [dsdata.txt](#) for more information about the datasheet.

DATABASE = Sybase ,PROGRAM = datasheet, VERSION = 7.12

1 National Geodetic Survey, Retrieval Date = JANUARY 26, 2005

AE6391 *****

AE6391 DESIGNATION - H 437
 AE6391 PID - AE6391
 AE6391 STATE/COUNTY- FL/HIGHLANDS
 AE6391 USGS QUAD - BRIGHTON NW (1983)

AE6391
 AE6391 *CURRENT SURVEY CONTROL

AE6391*	NAD 83(1986)-	27 08 14.	(N)	081 12 06.	(W)	SCALED
AE6391*	NAVD 88	-	9.395 (meters)	30.82 (feet)	ADJUSTED	

AE6391
 AE6391 GEOID HEIGHT- -25.20 (meters) GEOID03
 AE6391 DYNAMIC HT - 9.380 (meters) 30.77 (feet) COMP
 AE6391 MODELED GRAV- 979,125.1 (mgal) NAVD 88

AE6391 VERT ORDER - SECOND CLASS I

AE6391.The horizontal coordinates were scaled from a topographic map and have
 AE6391.an estimated accuracy of +/- 6 seconds.

AE6391.The orthometric height was determined by differential leveling
 AE6391.and adjusted by the National Geodetic Survey in March 1998.

AE6391.The geoid height was determined by GEOID03.

AE6391.The dynamic height is computed by dividing the NAVD 88
 AE6391.geopotential number by the normal gravity value computed on the
 AE6391.Geodetic Reference System of 1980 (GRS 80) ellipsoid at 45
 AE6391.degrees latitude (g = 980.6199 gals.).

AE6391.The modeled gravity was interpolated from observed gravity values.

AE6391;	North	East	Units	Estimated Accuracy
AE6391;SPC FL E -	310,620.	180,010.	MT	(+/- 180 meters Scaled)

AE6391
 AE6391 SUPERSEDED SURVEY CONTROL

AE6391 No superseded survey control is available for this station.

AE6391 U.S. NATIONAL GRID SPATIAL ADDRESS: 17RML800016(NAD 83)

AE6391_MARKER: DV = VERTICAL CONTROL DISK

AE6391_SETTING: 38 = BRIDGE ABUTMENT

AE6391_STAMPING: H 437 1995

AE6391_MARK LOGO: NGS

AE6391_MAGNETIC: N = NO MAGNETIC MATERIAL

AE6391_STABILITY: B = PROBABLY HOLD POSITION/ELEVATION WELL

AE6391_SATELLITE: THE SITE LOCATION WAS REPORTED AS SUITABLE FOR

AE6391+SATELLITE: SATELLITE OBSERVATIONS - 1995

AE6391	HISTORY	- Date	Condition	Report By
AE6391	HISTORY	- 1995	MONUMENTED	FLDEP

AE6391
 AE6391 STATION DESCRIPTION

AE6391 DESCRIBED BY FL DEPT OF ENV PRO 1995 (LGB)
 AE6391 THE MARK IS ABOUT 15.0 MI (24.1 KM) SOUTHEAST OF LAKE PLACID, 12.5 MI
 AE6391 (20.1 KM) NORTHWEST OF LAKEPORT IN SECTION 27, TOWNSHIP 38 SOUTH,
 AE6391 RANGE 31 EAST. TO REACH THE MARK FROM THE INTERSECTION OF U.S. HIGHWAY
 AE6391 27 AND STATE ROAD 70 SOUTH OF LAKE PLACID, GO EAST ON STATE ROAD 70
 AE6391 FOR 7.7 MI (12.4 KM) TO THE WEST END OF THE BRIDGE OVER CANAL C 41
 AE6391 (HARNEY POND CANAL), TURN RIGHT AT THE WEST END OF BRIDGE, PASSING
 AE6391 THROUGH THE GATE, GO SOUTH ON THE LEVEE ROAD FOR 1.05 MI (1.69 KM) TO
 AE6391 A SHARP CURVE TO THE RIGHT, CONTINUE WEST ON THE LEVEE ROAD FOR 1.85
 AE6391 MI (2.98 KM) TO A CURVE TO THE LEFT, CONTINUE SOUTH ON THE LEVEE ROAD
 AE6391 FOR 2.1 MI (3.4 KM) TO A CURVE TO THE LEFT, CONTINUE SOUTHEAST ON THE
 AE6391 LEVEE ROAD FOR 2.7 MI (4.3 KM) TO A BRIDGE ON THE LEFT AND THE MARK
 AE6391 SET FLUSH IN THE SOUTHWEST BRIDGE ABUTMENT. LOCATED 41.7 FT (12.7 M)

DATASHEETS

AE6391'NORTH OF THE APPROXIMATE CENTERLINE OF THE LEVEE ROAD, 18.9 FT (5.8 M)
AE6391'NORTH OF A CARSONITE WITNESS POST, 8.4 FT (2.6 M) WEST OF THE
AE6391'APPROXIMATE CENTERLINE OF THE BRIDGE AND 5.9 FT (1.8 M) SOUTH OF A
AE6391'GATE. NOTE ALL GATES ON LEVEE ARE LOCKED, FOR KEY CONTACT CARL ZEISS,
AE6391'SOUTH FLORIDA WATER MANAGEMENT DISTRICT, WEST PALM BEACH, FL. PHONE
AE6391'NUMBER (407) 686-8800.

*** retrieval complete.
Elapsed Time = 00:00:00

The NGS Data Sheet

See file [dsdata.txt](#) for more information about the datasheet.

DATABASE = Sybase ,PROGRAM = datasheet, VERSION = 7.12

1 National Geodetic Survey, Retrieval Date = JANUARY 26, 2005

AE6392 *****

AE6392 DESIGNATION - J 437
 AE6392 PID - AE6392
 AE6392 STATE/COUNTY- FL/HIGHLANDS
 AE6392 USGS QUAD - BRIGHTON NW (1983)

AE6392
 AE6392 *CURRENT SURVEY CONTROL

AE6392* NAD 83(1999)- 27 08 13.27828(N) 081 11 02.84354(W) ADJUSTED

AE6392* NAVD 88 - 11.555 (meters) 37.91 (feet) ADJUSTED

AE6392
 AE6392 X - 870,509.596 (meters) COMP
 AE6392 Y - -5,612,861.809 (meters) COMP
 AE6392 Z - 2,891,728.917 (meters) COMP
 AE6392 LAPLACE CORR- -3.52 (seconds) DEFLEC99
 AE6392 ELLIP HEIGHT- -13.67 (meters) (05/31/01) GPS OBS
 AE6392 GEOID HEIGHT- -25.25 (meters) GEOID03
 AE6392 DYNAMIC HT - 11.537 (meters) 37.85 (feet) COMP
 AE6392 MODELED GRAV- 979,122.9 (mgal) NAVD 88

AE6392
 AE6392 HORZ ORDER - FIRST
 AE6392 VERT ORDER - SECOND CLASS I
 AE6392 ELLP ORDER - FOURTH CLASS I

AE6392.The horizontal coordinates were established by GPS observations
 AE6392.and adjusted by the National Geodetic Survey in May 2001.

AE6392.The orthometric height was determined by differential leveling
 AE6392.and adjusted by the National Geodetic Survey in March 1998.

AE6392.The X, Y, and Z were computed from the position and the ellipsoidal ht.

AE6392.The Laplace correction was computed from DEFLEC99 derived deflections.

AE6392.The ellipsoidal height was determined by GPS observations
 AE6392.and is referenced to NAD 83.

AE6392.The geoid height was determined by GEOID03.

AE6392.The dynamic height is computed by dividing the NAVD 88
 AE6392.geopotential number by the normal gravity value computed on the
 AE6392.Geodetic Reference System of 1980 (GRS 80) ellipsoid at 45
 AE6392.degrees latitude (g = 980.6199 gals.).

AE6392.The modeled gravity was interpolated from observed gravity values.

AE6392
 AE6392;

	North	East	Units	Scale	Factor	Converg.
AE6392;SPC FL E	- 310,599.174	181,748.129	MT	0.99994529	-0 05 02.3	
AE6392;UTM 17	- 3,001,625.181	481,754.356	MT	0.99960411	-0 05 02.3	

AE6392
 AE6392!

	Elev Factor	x	Scale Factor	=	Combined Factor
AE6392!SPC FL E	- 1.00000215	x	0.99994529	=	0.99994744
AE6392!UTM 17	- 1.00000215	x	0.99960411	=	0.99960626

AE6392
 AE6392 SUPERSEDED SURVEY CONTROL

AE6392 NAD 83(1990)- 27 08 13.27723(N) 081 11 02.84324(W) AD() 1
 AE6392 ELLIP H (05/30/00) -13.70 (m) GP() 3 2
 AE6392 NAVD 88 (05/30/00) 11.55 (m) 37.9 (f) LEVELING 3

AE6392
 AE6392.Superseded values are not recommended for survey control.
 AE6392.NGS no longer adjusts projects to the NAD 27 or NGVD 29 datums.
 AE6392.[See file dsdata.txt](#) to determine how the superseded data were derived.

AE6392
 AE6392_U.S. NATIONAL GRID SPATIAL ADDRESS: 17RML8175401625(NAD 83)
 AE6392_MARKER: I = METAL ROD
 AE6392_SETTING: 49 = STAINLESS STEEL ROD W/O SLEEVE (10 FT.+)

AE6392_STAMPING: J 437 1995
 AE6392_MARK LOGO: NGS
 AE6392_PROJECTION: FLUSH
 AE6392_MAGNETIC: N = NO MAGNETIC MATERIAL
 AE6392_STABILITY: B = PROBABLY HOLD POSITION/ELEVATION WELL
 AE6392_SATELLITE: THE SITE LOCATION WAS REPORTED AS SUITABLE FOR
 AE6392+SATELLITE: SATELLITE OBSERVATIONS - July 13, 1999
 AE6392_ROD/PIPE-DEPTH: 24.4 meters

AE6392	HISTORY	- Date	Condition	Report By
AE6392	HISTORY	- 1995	MONUMENTED	FLDEP
AE6392	HISTORY	- 19990713	GOOD	BAH

AE6392
 AE6392 STATION DESCRIPTION

AE6392 DESCRIBED BY FL DEPT OF ENV PRO 1995 (LGB)
 AE6392 THE MARK IS ABOUT 15.0 MI (24.1 KM) SOUTHEAST OF LAKE PLACID, 12.1 MI
 AE6392 (19.5 KM) NORTHWEST OF LAKEPORT IN SECTION 25, TOWNSHIP 38 SOUTH,
 AE6392 RANGE 31 EAST. TO REACH THE MARK FROM THE INTERSECTION OF U.S. HIGHWAY
 AE6392 27 AND STATE ROAD 70 SOUTH OF LAKE PLACID, GO EAST ON STATE ROAD 70
 AE6392 FOR 7.7 MI (12.4 KM) TO THE WEST END OF THE BRIDGE OVER CANAL C 41
 AE6392 (HARNEY POND CANAL), TURN RIGHT AT THE WEST END OF BRIDGE, PASSING
 AE6392 THROUGH THE GATE, GO SOUTH ON THE LEVEE ROAD FOR 1.05 MI (1.69 KM) TO
 AE6392 A SHARP CURVE TO THE RIGHT, CONTINUE WEST ON THE LEVEE ROAD FOR 1.85
 AE6392 MI (2.98 KM) TO A CURVE TO THE LEFT, CONTINUE SOUTH ON THE LEVEE ROAD
 AE6392 FOR 2.1 MI (3.4 KM) TO A CURVE TO THE LEFT, CONTINUE SOUTHEAST ON THE
 AE6392 LEVEE ROAD FOR 2.7 MI (4.3 KM) TO ANOTHER CURVE TO THE LEFT, CONTINUE
 AE6392 EAST ON THE LEVEE ROAD FOR 1.1 MI (1.8 KM) TO A PAIR OF 5.0 FT (1.5 M)
 AE6392 DIAMETER CULVERTS, A GATE, AND THE MARK JUST EAST OF THE GATE ON THE
 AE6392 RIGHT, A STAINLESS STEEL ROD DRIVEN TO THE DEPTH OF 80.0 FT (24.4 M)
 AE6392 RECESSED 0.4 FT (12.2 CM) WITH A LOGO CAP FLUSH WITH THE GROUND.
 AE6392 LOCATED 118.0 FT (36.0 M) SOUTH OF THE TOP SCARP OF CANAL C 41, 90.0
 AE6392 FT (27.4 M) NORTH OF A FENCE LINE, 6.0 FT (1.8 M) EAST OF THE SOUTH
 AE6392 GATE POST AND 2.5 FT (0.8 M) EAST OF A CARSONITE WITNESS POST. NOTE
 AE6392 ACCESS TO DATUM POINT IS HAD THROUGH A 5-INCH LOGO CAP. NOTE ALL GATES
 AE6392 ON LEVEE ARE LOCKED, FOR KEY CONTACT CARL ZEISS, SOUTH FLORIDA WATER
 AE6392 MANAGEMENT DISTRICT, WEST PALM BEACH, FL. PHONE NUMBER (407)
 AE6392 686-8800.

AE6392
 AE6392 STATION RECOVERY (1999)

AE6392 RECOVERY NOTE BY BERRYMAN & HENIGAR 1999 (BH)
 AE6392 RECOVERED AS DESCRIBED.

*** retrieval complete.
 Elapsed Time = 00:00:00

SFWMD - Buck Island Ranch
Monitoring Well Benchmarks
Computation Sheet

West Side Bench Runs												Reverse Run #2				Preliminary	Preliminary		
Foreward Run #1																Adjusted	Prorated	Benchmark	
Plus	HI	Minus	Elevation	Benchmark Description	Sum of "Plus" Column	Sum of "Minus" Column	Delta = Difference in Elevation	Plus	HI	Minus	Elevation	Description	Sum of "Plus" Column	Sum of "Minus" Column	Delta = Difference in Elevation	Mean Delta	Elevation (meters)	Elevation Adjustment	Description
1.5769	10.9719		9.3950	H-437				1.5290	9.5759		8.0469	Buck 1A					8.0469	8.0479	Buck 1A
1.2373	10.2816	1.9276	9.0443					1.6929	10.5401	0.7287	8.8472								
1.4202	10.2451	1.4567	8.8249					1.1648	9.8373	1.8676	8.6725								
1.9284	10.2106	1.9629	8.2822					1.2641	10.1098	0.9916	8.8457								
1.4947	10.3185	1.3868	8.8238					1.6112	10.6170	1.1040	9.0058								
1.4255	10.4332	1.3108	9.0077					1.2763	10.4593	1.4340	9.1830								
1.6000	10.3754	1.6578	8.7754					1.6381	10.7007	1.3967	9.0626								
1.4450	10.3749	1.4455	8.9299					1.3182	10.4256	1.5933	9.1074								
1.3653	10.2412	1.4990	8.8759					1.4297	10.3343	1.5210	8.9046								
1.3029	10.4064	1.1377	9.1035					1.2983	10.3796	1.2530	9.0813								
1.4358	10.4914	1.3508	9.0556					1.6185	10.5848	1.4133	8.9663								
1.4350	10.5093	1.4171	9.0743					1.4891	10.5131	1.5608	9.0240								
1.3662	10.3915	1.4840	9.0253					1.5914	10.4590	1.6455	8.8676								
1.8000	10.5282	1.6633	8.7282					1.2818	10.3154	1.4254	9.0336								
1.5585	10.6713	1.4154	9.1128					1.4516	10.2345	1.5325	8.7829								
1.3980	10.6202	1.4491	9.2222					1.5334	10.3955	1.3724	8.8621								
1.8185	10.6895	1.7492	8.8710					1.4060	10.3779	1.4236	8.9719								
1.2979	10.2080	1.7794	8.9101					1.5885	10.5146	1.4518	8.9261								
1.2827	9.8445	1.6462	8.5618					1.4112	10.3117	1.6141	8.9005								
1.0878	10.0836	0.8487	8.9958					1.2955	10.3217	1.2895	9.0222								
1.5901	9.8335	1.8402	8.2434					1.5650	10.9147	0.9720	9.3497								
1.5609	9.5286	1.8658	7.9677					1.6021	11.1659	1.3509	9.5638								
		1.4837	8.0449	Buck 1A	32.4276	33.7777	-1.3501			1.7713	9.3946	H-437	32.0607	30.713	1.3477	1.3489			
1.6026	9.6475		8.0449	Buck 1A				1.5308	9.5124		7.9816	Buck 2A					7.98255	7.9839	Buck 2A
1.4547	9.6357	1.4665	8.1810					1.6312	9.8526	1.2910	8.2214								
1.5586	9.8827	1.3116	8.3241					1.4845	9.9331	1.4040	8.4486								
1.4750	9.8521	1.5056	8.3771					1.4619	10.0354	1.3596	8.5735								
1.4788	9.7537	1.5772	8.2749					1.5758	10.0207	1.5905	8.4449								
1.4061	9.6808	1.4790	8.2747					1.4685	9.6838	1.8054	8.2153								
1.3335	9.4576	1.5567	8.1241					1.5098	9.7072	1.4864	8.1974								
1.5206	9.4590	1.5192	7.9384					1.4091	9.6185	1.4978	8.2094								
		1.4775	7.9815	Buck 2A	11.8299	11.8933	-0.0634			1.5716	8.0469	Buck 1A	12.0716	12.0063	0.0653	0.06435			
1.4975	9.4790		7.9815	Buck 2A				1.2116	9.4564		8.2448	Buck 3B					8.2455	8.2470	Buck 3B
1.4772	9.5316	1.4246	8.0544					1.4400	9.5453	1.3511	8.1053								
1.5121	9.5761	1.4676	8.0640					1.6740	9.6000	1.6193	7.9260								
1.5604	9.7000	1.4365	8.1396					1.1349	9.4657	1.2692	8.3308								
		1.4558	8.2442	Buck 3B	6.0472	5.7845	0.2627			1.4841	7.9816	Buck 2A	5.4605	5.7237	-0.2632	-0.26295			
1.4879	9.7321		8.2442	Buck 3B				1.6343	9.8822		8.2479	Buck 4A					8.248	8.2497	Buck 4A
1.4041	9.9134	1.2228	8.5093					1.5949	9.9508	1.5263	8.3559								
1.4722	9.8024	1.5832	8.3302					1.5594	9.9624	1.5478	8.4030								
1.4825	9.8099	1.4750	8.3274					1.2978	9.7127	1.5475	8.4149								
		1.5638	8.2461	Buck 4A	5.8467	5.8448	0.0019			1.4679	8.2448	Buck 3B	6.0864	6.0895	-0.0031	-0.0025			
1.7678	10.0139		8.2461	Buck 4A				1.8997	10.1476		8.2479	Buck 4A							
1.4169	9.6490	1.7818	8.2321					1.9971	10.2401	1.9046	8.2430								
1.1706	9.6231	1.1965	8.4525					1.4298	9.6335	2.0364	8.2037								
1.5580	9.6904	1.4907	8.1324					1.4292	9.6045	1.4582	8.1753								
1.4653	9.7145	1.4412	8.2492					1.4951	9.7084	1.3912	8.2133								
1.4034	9.6725	1.4454	8.2691					1.4795	9.7894	1.3985	8.3099								
		1.3634	8.3091	Buck 5B	8.7820	8.7190	0.0630			1.4787	8.3107	Buck 5B	9.7304	9.6676	0.0628	0.0629	8.3109	8.3129	Buck 5B

SFWMD - Buck Island Ranch
Monitoring Well Benchmarks
Computation Sheet

Plus	HI	Minus	Elevation	Benchmark Description	Sum of "Plus" Column	Sum of "Minus" Column	Delta = Difference in Elevation	Plus	HI	Minus	Elevation	Description	Sum of "Plus" Column	Sum of "Minus" Column	Delta = Difference in Elevation	Mean Delta	Adjusted Elevation (meters)	Prorated Elevation Adjustment	Benchmark Description
1.3852	9.6943		8.3091	Buck 5B				1.5646	9.6835		8.1189	Buck 6A					8.1187	8.1209	Buck 6A
1.5208	9.7372	1.4779	8.2164					1.4111	9.7320	1.3626	8.3209								
1.5257	9.6598	1.6031	8.1341					1.3968	9.6907	1.4381	8.2939								
1.5919	9.6750	1.5767	8.0831					1.4174	9.7126	1.3955	8.2952								
		1.5585	8.1165	Buck 6A	6.0236	6.2162	-0.1926			1.4019	8.3107	Buck 5B	5.7899	5.5981	0.1918	0.1922			
								1.5887	9.7312		8.1425	Buck 8A					8.14155	8.1440	Buck 8A
1.6317	9.7482		8.1165	Buck 6A				1.3058	9.5511	1.4859	8.2453								
1.4351	9.6364	1.5469	8.2013					1.6044	9.7062	1.4493	8.1018								
1.4827	9.6109	1.5082	8.1282					1.3667	9.6462	1.4267	8.2795								
1.4376	9.5918	1.4567	8.1542					1.4273	9.7208	1.3527	8.2935								
		1.4532	8.1386	Buck 8A	5.9871	5.9650	0.0221	1.4462	9.6843	1.4827	8.2381								
										1.5654	8.1189	Buck 6A	8.7391	8.7627	-0.0236	-0.02285			
1.3758	9.5144		8.1386	Buck 8A				1.4994	9.6103		8.1109	Buck 9B					8.10865	8.1114	Buck 9B
1.5503	9.5724	1.4923	8.0221					1.5640	9.6830	1.4913	8.1190								
1.0713	9.6368	1.0069	8.5655					1.4371	9.6004	1.5197	8.1633								
1.4559	9.6916	1.4011	8.2357					1.6971	9.6475	1.6500	7.9504								
1.3825	9.5313	1.5428	8.1488					0.9355	9.5707	1.0123	8.6352								
1.4845	9.5301	1.4857	8.0456					1.2466	9.3390	1.4783	8.0924								
1.6291	9.7701	1.3891	8.1410							1.1965	8.1425	Buck 8A	8.3797	8.3481	0.0316	0.0329			
1.5410	9.6333	1.6778	8.0923																
		1.5289	8.1044	Buck 9B	11.4904	11.5246	-0.0342												
1.5075	9.6119		8.1044	Buck 9B				2.0806	10.0293		7.9487	Buck 10A					7.9461	7.9490	Buck 10A
1.3061	9.5092	1.4088	8.2031					1.3675	9.5893	1.8075	8.2218								
1.6681	9.4778	1.6995	7.8097					1.5019	9.5761	1.5151	8.0742								
1.6949	9.5309	1.6418	7.8360					1.3489	9.5642	1.3608	8.2153								
		1.5894	7.9415	Buck 10A	6.1766	6.3395	-0.1629			1.4533	8.1109	Buck 9B	6.2989	6.1367	0.1622	0.16255			
								1.3549	9.3894		8.0345	Buck 11B					8.03075	8.0340	Buck 11B
1.5843	9.5258		7.9415	Buck 10A				1.3880	9.4430	1.3344	8.0550								
1.4540	9.5784	1.4014	8.1244					1.4131	9.5210	1.3351	8.1079								
1.4155	9.4682	1.5257	8.0527					1.5197	9.6189	1.4218	8.0992								
1.3800	9.5978	1.2504	8.2178					1.4410	9.5470	1.5129	8.1060								
1.4729	9.4851	1.5856	8.0122					1.4633	9.5983	1.4120	8.1350								
1.1798	9.2667	1.3982	8.0869					1.4779	9.6110	1.4652	8.1331								
		1.2417	8.0250	Buck 11B	8.4865	8.4030	0.0835	1.4363	9.4476	1.5997	8.0113								
										1.4989	7.9487	Buck 10A	11.4942	11.58	-0.0858	-0.08465			
1.5778	9.6028		8.0250	Buck 11B				1.5857	10.9807		9.3950	H-437					9.3913	9.3950	H-437
1.6708	10.3053	0.9683	8.6345					1.1452	10.3988	1.7271	9.2536								
1.4559	10.1500	1.6112	8.6941					1.2592	10.1930	1.4650	8.9338								
1.2135	10.0147	1.3488	8.8012					1.5455	10.3269	1.4116	8.7814								
1.3837	10.2113	1.1871	8.8276					1.4370	10.1415	1.6224	8.7045								
1.2700	10.0314	1.4499	8.7614					1.7494	10.1537	1.7372	8.4043								
1.3796	10.1104	1.3006	8.7308					1.4437	9.9914	1.6060	8.5477								
1.2350	10.0850	1.2604	8.8500					1.3080	9.7107	1.5887	8.4027								
1.7861	10.3916	1.4795	8.6055					1.5859	9.6785	1.6181	8.0926								
1.5440	10.3077	1.6279	8.7637					1.3894	9.5304	1.5375	8.1410								
1.4888	10.1134	1.6831	8.6246							1.4959	8.0345	Buck 11B	14.449	15.8095	-1.3605	-1.36055			
1.4763	10.2948	1.2949	8.8185																
2.0240	10.6456	1.6732	8.6216																
1.6362	11.0869	1.1949	9.4507																
		1.7013	9.3856	H-437	21.1417	19.7811	1.3606												
1.6157	11.0107		9.3950	H-437				1.4494	9.7318		8.2824	Buck 7B					8.28275	8.2828	Buck 7B
0.9892	10.1507	1.8492	9.1615					1.2762	9.7976	1.2104	8.5214								
1.1855	9.8518	1.4844	8.6663					1.5941	10.1972	1.1945	8.6031								
1.2020	9.7236	1.3302	8.5216					1.8115	10.9892	1.0195	9.1777								
		1.4412	8.2824	Buck 7B	4.9924	6.1050	-1.1126			1.5949	9.3943	H-437	6.1312	5.0193	1.1119	1.11225			

SFWMD - Buck Island Ranch
Monitoring Well Benchmarks
Computation Sheet

East Side Bench Runs																			
Foreward Run #1									Reverse Run #2										
Plus	HI	Minus	Elevation	Benchmark Description	Sum of "Plus" Column	Sum of "Minus" Column	Delta = Difference in Elevation	Plus	HI	Minus	Elevation	Description	Sum of "Plus" Column	Sum of "Minus" Column	Delta = Difference in Elevation	Mean Delta	Preliminary Adjusted Elevation (meters)	Preliminary Prorated Elevation Adjustment	Benchmark Description
0.9432	12.4982		11.5550	J-437				1.9986	9.8717		7.8731	Buck 20A							
1.3173	11.0350	2.7805	9.7177					1.5150	9.3642	2.0225	7.8492								
1.2316	9.8580	2.4086	8.6264					2.9798	11.6494	0.6946	8.6696								
2.3465	10.9722	1.2323	8.6257					1.4440	9.8614	3.2320	8.4174								
1.7698	10.3788	2.3632	8.6090					2.8779	12.3977	0.3416	9.5198								
1.3100	9.2574	2.4314	7.9474					1.6664	13.4310	0.6331	11.7646								
		1.3872	7.8702	Buck 20A	8.9184	12.6032	-3.6848			1.8767	11.5543	J-437	12.4817	8.8005	3.6812	3.683	11.55985	11.5550	J-437
1.9430	9.8132		7.8702	Buck 20A				1.4105	9.4864		8.0759	Buck 12B							
1.8603	9.4222	2.2513	7.5619					2.0659	9.7420	1.8103	7.6761								
1.5142	9.4850	1.4514	7.9708					1.4043	9.7940	1.3523	8.3897								
1.4106	9.5257	1.3699	8.1151					1.2964	9.8695	1.2209	8.5731								
1.6551	9.7508	1.4300	8.0957					1.3240	9.8208	1.3727	8.4968								
1.3601	9.5419	1.5690	8.1818					1.3201	9.8779	1.2630	8.5578								
1.4092	9.5751	1.3760	8.1659					1.4787	9.9123	1.4443	8.4336								
1.3745	9.4837	1.4659	8.1092					1.4935	9.8331	1.5727	8.3396								
		1.4120	8.0717	Buck 12B	12.5270	12.3255	0.2015	1.3980	9.7105	1.5206	8.3125								
								1.0214	9.4757	1.2562	8.4543								
										1.6026	7.8731	Buck 20A	14.2128	14.4156	-0.2028	-0.20215	7.87685	7.8725	Buck 20A
1.5000	9.5717		8.0717	Buck 12B				1.5960	9.4309		7.8349	Buck 13A							
1.6934	9.4443	1.8208	7.7509					1.3913	9.3609	1.4613	7.9696								
1.5228	9.5503	1.4168	8.0275					1.5033	9.4892	1.3750	7.9859								
1.4841	9.4715	1.5629	7.9874					1.4601	9.5350	1.4143	8.0749								
		1.6424	7.8291	Buck 13A	6.2003	6.4429	-0.2426			1.4591	8.0759	Buck 12B	5.9507	5.7097	0.241	0.2418	8.079	8.0754	Buck 12B
1.7948	9.6239		7.8291	Buck 13A				1.5509	9.4585		7.9076	Buck 14B							
1.4983	9.4595	1.6627	7.9612					1.9861	9.6285	1.8161	7.6424								
		1.5574	7.9021	Buck 14B	3.2931	3.2201	0.0730			1.7936	7.8349	Buck 13A	3.537	3.6097	-0.0727	-0.07285	7.8372	7.8339	Buck 13A
1.5392	9.4413		7.9021	Buck 14B				1.5528	9.4298		7.8770	Buck 15A							
1.6278	9.4424	1.6267	7.8146					1.4583	9.4860	1.4021	8.0277								
		1.5717	7.8707	Buck 15A	3.1670	3.1984	-0.0314			1.5784	7.9076	Buck 14B	3.0111	2.9805	0.0306	0.031	7.91005	7.9069	Buck 14B
1.5848	9.4555		7.8707	Buck 15A				1.4814	9.4556		7.9742	Buck 16B							
0.8872	9.4610	0.8817	8.5738					1.7663	9.7838	1.4381	8.0175								
1.4545	9.4376	1.4779	7.9831					1.4105	9.3790	1.8153	7.9685								
		1.4707	7.9669	Buck 16B	3.9265	3.8303	0.0962	1.4276	9.4175	1.3891	7.9899								
										1.5405	7.8770	Buck 15A	6.0858	6.183	-0.0972	-0.0967	7.87905	7.8761	Buck 15A
1.4462	9.4131		7.9669	Buck 16B				1.6125	9.4649		7.8524	Buck 17A							
1.6787	9.4573	1.6345	7.7786					1.3993	9.4322	1.4320	8.0329								
		1.6114	7.8459	Buck 17A	3.1249	3.2459	-0.1210			1.4580	7.9742	Buck 16B	3.0118	2.89	0.1218	0.1214	7.97575	7.9731	Buck 16B
1.6085	9.4544		7.8459	Buck 17A				1.5574	9.5152		7.9578	Buck 18B							
1.5033	9.5050	1.4527	8.0017					1.4904	9.4713	1.5343	7.9809								
		1.5548	7.9502	Buck 18B	3.1118	3.0075	0.1043			1.6189	7.8524	Buck 17A	3.0478	3.1532	-0.1054	-0.10485	7.85435	7.8518	Buck 17A
1.4811	9.4313		7.9502	Buck 18B				1.6693	9.6490		7.9797	Buck 19A							
1.8287	9.9701	1.2899	8.1414					1.1914	9.4936	1.3468	8.3022								
1.5083	9.6509	1.8275	8.1426							1.5358	7.9578	Buck 18B	2.8607	2.8826	-0.0219	-0.02055	7.9592	7.9569	Buck 18B
		1.6815	7.9694	Buck 19A	4.8181	4.7989	0.0192												

SFWMD - Buck Island Ranch
Monitoring Well Benchmarks
Computation Sheet

Plus	HI	Minus	Elevation	Benchmark Description	Sum of "Plus" Column	Sum of "Minus" Column	Delta = Difference in Elevation	Plus	HI	Minus	Elevation	Description	Sum of "Plus" Column	Sum of "Minus" Column	Delta = Difference in Elevation	Mean Delta	Adjusted Elevation (meters)	Prorated Elevation Adjustment	Benchmark Description
1.6394	9.6088		7.9694	Buck 19A				1.9151	9.8872		7.9721	Buck 22B							
1.4109	9.6314	1.3883	8.2205					1.9112	9.9174	1.8810	8.0062								
1.3867	9.5068	1.5113	8.1201					1.4913	9.8750	1.5337	8.3837								
1.5512	9.6179	1.4401	8.0667					1.3551	9.8051	1.4250	8.4500								
1.8902	9.9212	1.5869	8.0310					1.5823	9.8941	1.4933	8.3118								
1.6636	9.7215	1.8633	8.0579					1.3200	9.6218	1.5923	8.3018								
		1.7591	7.9624	Buck 22B	9.5420	9.5490	-0.0070			1.6421	7.9797	Buck 19A	9.575	9.5674	0.0076	0.0073	7.97975	7.9776	Buck 19A
1.8973	9.8597		7.9624	Buck 22B				2.0585	9.8161		7.7576	Buck 21A							
1.5705	9.7389	1.6913	8.1684					1.4509	9.6525	1.6145	8.2016								
1.4919	9.4512	1.7796	7.9593					1.6103	9.6259	1.6369	8.0156								
1.4377	9.5509	1.3380	8.1132					1.4082	9.5472	1.4869	8.1390								
1.7685	9.7568	1.5626	7.9883					1.5949	9.6252	1.5169	8.0303								
1.1950	9.4128	1.5390	8.2178					1.4346	9.7306	1.3292	8.2960								
		1.6649	7.7479	Buck 21A	9.3609	9.5754	-0.2145	1.0665	9.4916	1.3055	8.4251								
								1.4202	9.3873	1.5245	7.9671								
										1.4152	7.9721	Buck 22B	12.0441	11.8296	0.2145	0.2145	7.97245	7.9707	Buck 22B
1.6015	9.3494		7.7479	Buck 21A				1.2360	12.7910		11.5550	J-437					11.555		
1.3305	9.3566	1.3233	8.0261					1.1291	12.5386	1.3815	11.4095								
1.7334	9.6698	1.4202	7.9364					1.2447	12.2862	1.4971	11.0415								
1.7039	9.6545	1.7192	7.9506					1.6178	12.4240	1.4800	10.8062								
1.6311	9.5663	1.7193	7.9352					1.2294	12.8978	0.7556	11.6684								
1.5721	9.7729	1.3655	8.2008					1.4177	13.0188	1.2967	11.6011								
1.5992	9.7704	1.6017	8.1712					1.5680	12.8936	1.6932	11.3256								
1.6002	9.8496	1.5210	8.2494					0.6027	11.2540	2.2423	10.6513								
1.6236	9.7572	1.7160	8.1336					1.3210	10.3158	2.2592	8.9948								
2.5383	10.8480	1.4475	8.3097					1.3232	10.4815	1.1575	9.1583								
1.1523	11.1014	0.8989	9.9491					0.9842	9.3059	2.1598	8.3217								
1.1276	9.6786	2.5504	8.5510					1.4235	9.3712	1.3582	7.9477								
2.7434	11.3156	1.1064	8.5722					1.7020	9.3506	1.7226	7.6486								
2.2914	13.0662	0.5408	10.7748					1.6132	9.5637	1.4001	7.9505								
		1.5216	11.5446	J-437	24.2485	20.4518	3.7967			1.8061	7.7576	Buck 21A	18.4125	22.2099	-3.7974	-3.79705	7.75795	7.7569	Buck 21A

SFWMD - Buck Island Ranch
Monitoring Well Benchmarks
Computation Sheet

Subordinate Bench Runs																			
Plus	HI	Minus	Elevation	Benchmark Description	Delta = Difference in Elevation	Mean Delta	Preliminary Adjusted Elevation	Benchmark Description			Plus	HI	Minus	Elevation	Benchmark Description	Delta = Difference in Elevation	Mean Delta	Preliminary Adjusted Elevation	Benchmark Description
1.6484	9.4823		7.8339	Buck 13A						1.5924	9.4993		7.9069	Buck 14B					
		0.6309	8.8514	Buck 13C	1.0175								0.6432	8.8561	Buck 14C	0.9492			
0.6310	9.4824		8.8514	Buck 13C						0.6432	9.4993		8.8561	Buck 14C					
		1.6486	7.8338	Buck 13A	-1.0176	1.0176	8.8515	Buck 13C					1.5924	7.9069	Buck 14B	-0.9492	0.9492	8.8561	Buck 14C
1.4950	9.3711		7.8761	Buck 15A						1.5014	9.3775		7.8761	Buck 15A					
		1.4543	7.9168	Buck 15B	0.0407								0.6178	8.7597	Buck 15C	0.8836			
1.4541	9.3709		7.9168	Buck 15B						0.6176	9.3773		8.7597	Buck 15C					
		1.4950	7.8759	Buck 15A	-0.0409	0.0408	7.9169	Buck 15B					1.5015	7.8758	Buck 15A	-0.8839	0.88375	8.7598	Buck 15C
1.4968	9.4699		7.9731	Buck 16B						1.6031	9.5600		7.9569	Buck 18B					
		0.6344	8.8355	Buck 16C	0.8624								0.6598	8.9002	Buck 18C	0.9433			
0.6344	9.4699		8.8355	Buck 16C						0.6585	9.5587		8.9002	Buck 18C					
		1.4969	7.9730	Buck 16B	-0.8625	0.8625	8.8355	Buck 16C					1.6019	7.9568	Buck 18B	-0.9434	0.94335	8.9002	Buck 18C
1.5298	9.3816		7.8518	Buck 17A						1.5299	9.4060		7.8761	Buck 17A					
		1.4450	7.9366	Buck 17B	0.0848								0.5377	8.8683	Buck 17C	0.9922			
1.4461	9.3827		7.9366	Buck 17B						0.5378	9.4061		8.8683	Buck 17C					
		1.5300	7.8527	Buck 17A	-0.0839	0.0844	7.9362	Buck 17B					1.5296	7.8765	Buck 17A	-0.9918	0.992	8.8681	Buck 17C
1.4539	9.5293		8.0754	Buck 12B						1.4625	9.4332		7.9707	Buck 22B					
		0.5987	8.9306	Buck 12C	0.8552								0.4901	8.9431	Buck 22C	0.9724			
0.6001	9.5307		8.9306	Buck 12C						0.4924	9.4355		8.9431	Buck 22C					
		1.4559	8.0748	Buck 12B	-0.8558	0.8555	8.9309	Buck 12C					1.4650	7.9705	Buck 22B	-0.9726	0.9725	8.9432	Buck 22C
1.5261	9.5037		7.9776	Buck 19A						1.5237	9.5013		7.9776	Buck 19A					
		1.3454	8.1583	Buck 19B	0.1807								0.532	8.9693	Buck 19C	0.9917			
1.3431	9.5014		8.1583	Buck 19B						0.5324	9.5017		8.9693	Buck 19C					
		1.5236	7.9778	Buck 19A	-0.1805	0.1806	8.1582	Buck 19B					1.5234	7.9783	Buck 19A	-0.991	0.99135	8.9689	Buck 19C
1.6168	9.3737		7.7569	Buck 21A						1.6190	9.3759		7.7569	Buck 21A					
		1.5146	7.8591	Buck 21B	0.1022								0.5827	8.7932	Buck 21C	1.0363			
1.5183	9.3774		7.8591	Buck 21B						0.5806	9.3738		8.7932	Buck 21C					
		1.6206	7.7568	Buck 21A	-0.1023	0.1023	7.8591	Buck 21B					1.6166	7.7572	Buck 21A	-1.036	1.03615	8.7930	Buck 21C
1.4749	9.3474		7.8725	Buck 20A						1.4775	9.3500		7.8725	Buck 20A					
		1.4620	7.8854	Buck 20B	0.0129								0.4893	8.8607	Buck 20C	0.9882			
1.4647	9.3501		7.8854	Buck 20B						0.4859	9.3466		8.8607	Buck 20C					
		1.4775	7.8726	Buck 20A	-0.0128	0.0129	7.8853	Buck 20B					1.4744	7.8722	Buck 20A	-0.9885	0.98835	8.8608	Buck 20C
1.5426	9.5905		8.0479	Buck 1A						1.5400	9.5879		8.0479	Buck 1A					
		1.4994	8.0911	Buck 1B	0.0432								0.5966	8.9913	Buck 1C	0.9434			
1.4973	9.5884		8.0911	Buck 1B						0.6008	9.5921		8.9913	Buck 1C					
		1.5408	8.0476	Buck 1A	-0.0435	0.0433	8.0912	Buck 1B					1.5442	8.0479	Buck 1A	-0.9434	0.9434	8.9913	Buck 1C
1.5526	9.5365		7.9839	Buck 2A						1.5520	9.5359		7.9839	Buck 2A					
		1.4119	8.1246	Buck 2B	0.1407								0.5536	8.9823	Buck 2C	0.9984			
1.4106	9.5352		8.1246	Buck 2B						0.5974	9.5797		8.9823	Buck 2C					
		1.5495	7.9857	Buck 2A	-0.1389	0.1398	8.1237	Buck 2B					1.5945	7.9852	Buck 2A	-0.9971	0.99775	8.9817	Buck 2C

SFWMD - Buck Island Ranch
Monitoring Well Benchmarks
Computation Sheet

Subordinate Bench Runs

Plus	HI	Minus	Elevation	Benchmark Description	Delta = Difference in Elevation	Mean Delta	Preliminary Adjusted Elevation	Benchmark Description	Plus	HI	Minus	Elevation	Benchmark Description	Delta = Difference in Elevation	Mean Delta	Preliminary Adjusted Elevation	Benchmark Description
1.4742	9.7212		8.2470	Buck 3B					1.4047	9.7176		8.3129	Buck 5B				
		0.6842	9.0370	Buck 3C	0.7900						0.5447	9.1729	Buck 5C	0.86			
0.6855	9.7225		9.0370	Buck 3C					0.4953	9.6682		9.1729	Buck 5C				
		1.4740	8.2485	Buck 3B	-0.7885	0.7893	9.0363	Buck 3C			1.3549	8.3133	Buck 5B	-0.8596	0.8598	9.1727	Buck 5C
1.5430	9.7927		8.2497	Buck 4A					1.5457	9.7954		8.2497	Buck 4A				
		1.4687	8.3240	Buck 4B	0.0743						0.5753	9.2201	Buck 4C	0.9704			
1.4713	9.7953		8.3240	Buck 4B					0.5754	9.7955		9.2201	Buck 4C				
		1.5458	8.2495	Buck 4A	-0.0745	0.0744	8.3241	Buck 4B			1.5456	8.2499	Buck 4A	-0.9702	0.9703	9.2200	Buck 4C
1.5171	9.6380		8.1209	Buck 6A					1.5095	9.6304		8.1209	Buck 6A				
		1.3944	8.2436	Buck 6B	0.1227						0.4809	9.1495	Buck 6C	1.0286			
1.3862	9.6298		8.2436	Buck 6B					0.4782	9.6277		9.1495	Buck 6C				
		1.5091	8.1207	Buck 6A	-0.1229	0.1228	8.2437	Buck 6B			1.5062	8.1215	Buck 6A	-1.028	1.0283	9.1492	Buck 6C
1.4219	9.4559		8.0340	Buck 11B					1.4762	9.5876		8.1114	Buck 9B				
		0.5336	8.9223	Buck 11C	0.8883						0.6243	8.9633	Buck 9C	0.8519			
0.5364	9.4587		8.9223	Buck 11C					0.6285	9.5918		8.9633	Buck 9C				
		1.4240	8.0347	Buck 11B	-0.8876	0.8880	8.9219	Buck 11C			1.4802	8.1116	Buck 9B	-0.8517	0.8518	8.9632	Buck 9C
1.7537	9.7027		7.9490	Buck 10A					1.7556	9.7046		7.9490	Buck 10A				
		1.6537	8.0490	Buck 10B	0.1000						0.8109	8.8937	Buck 10C	0.9447			
1.6553	9.7043		8.0490	Buck 10B					0.808	9.7017		8.8937	Buck 10C				
		1.7548	7.9495	Buck 10A	-0.0995	0.0998	8.0487	Buck 10B			1.7521	7.9496	Buck 10A	-0.9441	0.9444	8.8934	Buck 10C
1.5719	9.7159		8.1440	Buck 8A					1.5690	9.7130		8.1440	Buck 8A				
		1.4423	8.2736	Buck 8B	0.1296						0.6185	9.0945	Buck 8C	0.9505			
1.4388	9.7124		8.2736	Buck 8B					0.618	9.7125		9.0945	Buck 8C				
		1.5691	8.1433	Buck 8A	-0.1303	0.1300	8.2739	Buck 8B			1.5686	8.1439	Buck 8A	-0.9506	0.95055	9.0945	Buck 8C
1.5024	9.7852		8.2828	Buck 7B													
		0.6280	9.1572	Buck 7C	0.8744												
0.6249	9.7821		9.1572	Buck 7C													
		1.5006	8.2815	Buck 7B	-0.8757	0.8751	9.1578	Buck 7C									

Well #	Location	Diameter	Easting	Northing	RP Elevation	TBM Elevation
Buck 01	Winter 1	4"	-81.21650328	27.13703711	30.81	28.29
Buck 02	Winter 1	2"	-81.21758805	27.13164098	30.82	28.00
Buck 03	Winter 2	2"	-81.21529124	27.13120664	30.91	28.29
Buck 04	Winter 3	2"	-81.21272495	27.1306711	31.51	28.55
Buck 05	Winter 4	2"	-81.20781146	27.13207561	31.51	28.66
Buck 06	Winter 5	2"	-81.20500916	27.13301191	31.39	28.38
Buck 07	Winter 6	4"	-81.20242938	27.13583025	31.31	28.52
Buck 08	Winter 6	2"	-81.20150397	27.13256782	31.11	28.40
Buck 09	Winter 7	2"	-81.19678183	27.13100357	30.61	27.80
Buck 10	Winter 8	2"	-81.19422701	27.1310297	30.44	27.66
Buck 11	Winter 8	4"	-81.19382747	27.1359575	30.58	27.66
Buck 12	Summer 1	2"	-81.18349326	27.14474698	30.43	27.62
Buck 13	Summer 2	2"	-81.18165026	27.14478323	30.22	27.12
Buck 14	Summer 3	2"	-81.17989676	27.14477872	30.25	27.11
Buck 15	Summer 4	2"	-81.17804051	27.14481268	29.88	27.10
Buck 16	Summer 5	2"	-81.17579256	27.1448426	30.17	27.32
Buck 17	Summer 6	2"	-81.17371487	27.14485196	30.19	27.19
Buck 18	Summer 7	2"	-81.1717829	27.14486337	30.39	27.28
Buck 19	Summer 8	2"	-81.17012554	27.14482701	30.59	27.92
Buck 20	Summer 1	4"	-81.18290103	27.139737	30.30	26.69
Buck 21	Summer 5	4"	-81.17499578	27.1411081	30.06	26.99
Buck 22	Summer 8	4"	-81.17035165	27.14107319	30.54	27.34

Office

Project

12 June 2017

INPUT

Geographic, flhpgn - Florida HPGN
Vertical - NAVD88, U.S. Feet

OUTPUT

State Plane, flhpgn - Florida HPGN
0901 - Florida East, U.S. Feet
Vertical - NGVD29 (Custom), U.S. Feet

BUCK16

1/1

Latitude: 27 08 41
Longitude: 81 10 33
Elevation/Z: 0

Northing/Y: 1021819.500
Easting/X: 598985.312
Elevation/Z: 1.217
Convergence: -0 04 48.80041
Scale Factor: 0.999944925
Combined Factor: 0.999948838

Remark:

Corpscon v6.0.1, U.S. Army Corps of Engineers

DBHYDRO | by station

STATION INFORMATION

Station	BUCK16_G
Site	BUCK16
Type	WELL
Latitude (ddmmss.sss)	270841.399
Longitude (ddmmss.sss)	811032.836
X Coord (ft) NAD83	598999
Y Coord (ft) NAD83	1021860
County	Highlands
Basin	C-41N
Section	25
Township	38
Range	31
Show Map	Google Map
Well Info	Info
Description	Middle of improved pasture S5 at Buck Island Ranch north of Harney pond canal
Notes	Description provided by Odi Villapando
Nearby Stations	Nearby Stations
Attachments	None Available

Query returned 1 station record(s).

[Get Time Series Data](#)