

**PHASE II COLLIER COUNTY
AQUIFER STORAGE AND
RECOVERY PROJECT**

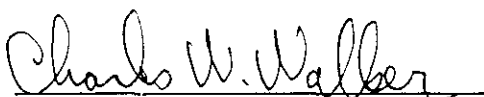
PRELIMINARY REPORT

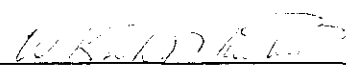
Collier County Utilities Division
Water and Wastewater Services
3050 North Horseshoe Drive
Naples, Florida 33942

January, 1993

Missimer & Associates, Inc.
428 Pine Island Road, S.W.
Cape Coral, Florida 33991

Project No.
H89-342


Charles W. Walker, Ph.D., P.G.
Senior Hydrogeologist


W. Kirk Martin, P.G.
Professional Geologist #079

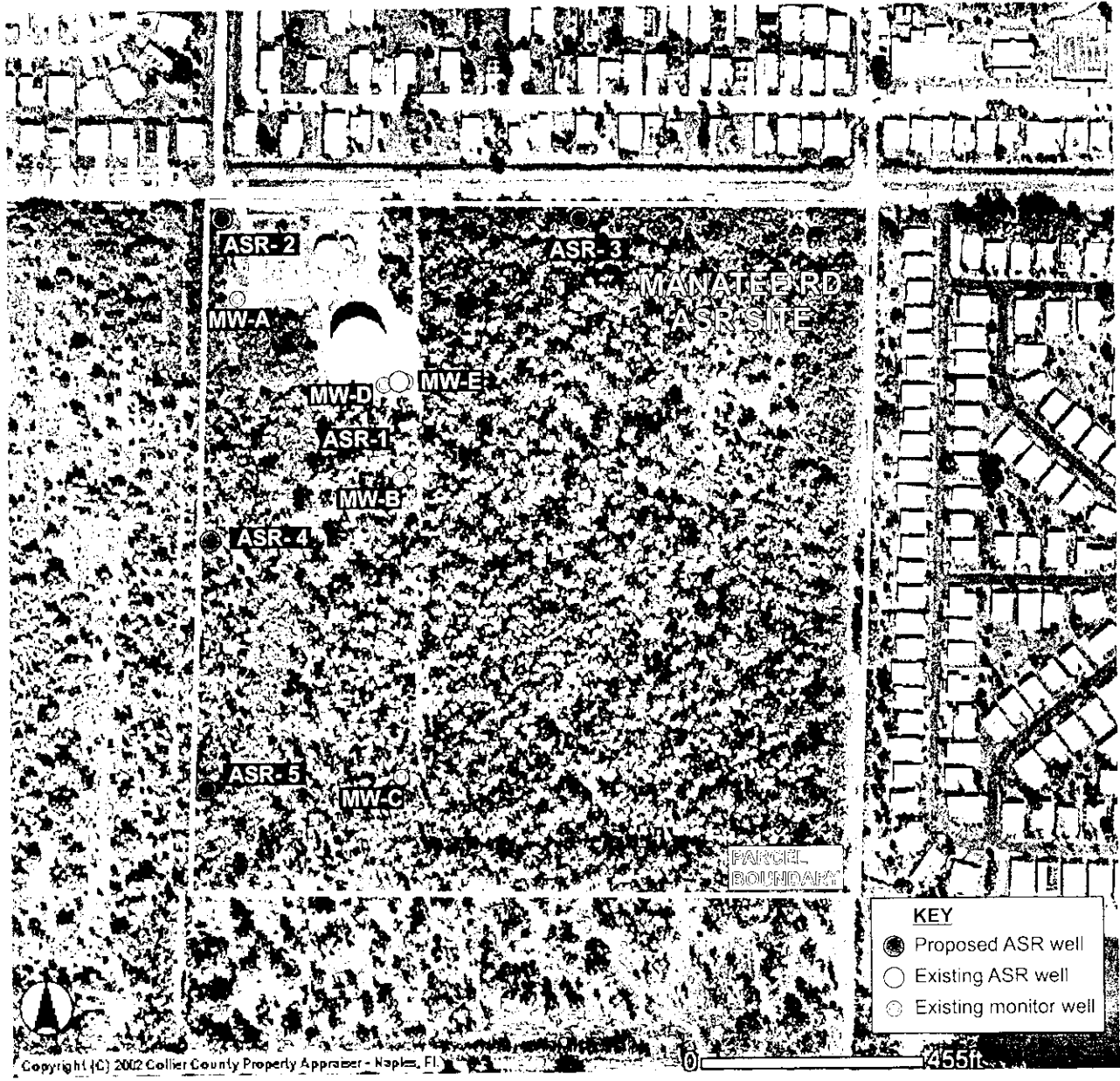
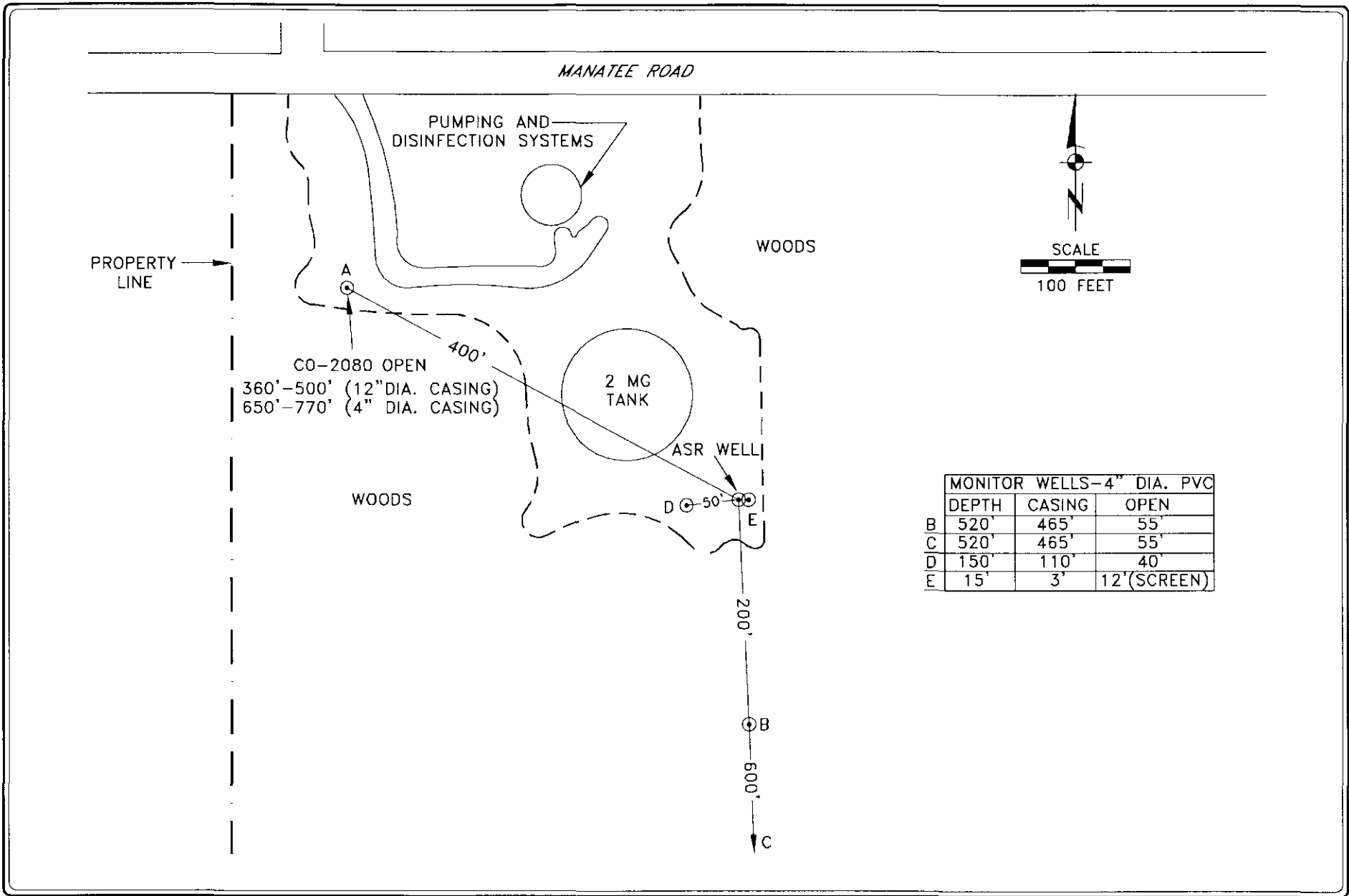


Figure 2
Collier County Manatee Road ASR Expansion
Aerial photograph showing existing and proposed well locations



ViroGroup

AIR • WATER • SOIL TECHNOLOGY

DRN. BY: CAM DWG NO. A-9342ASR-1 DATE: 4/8/94

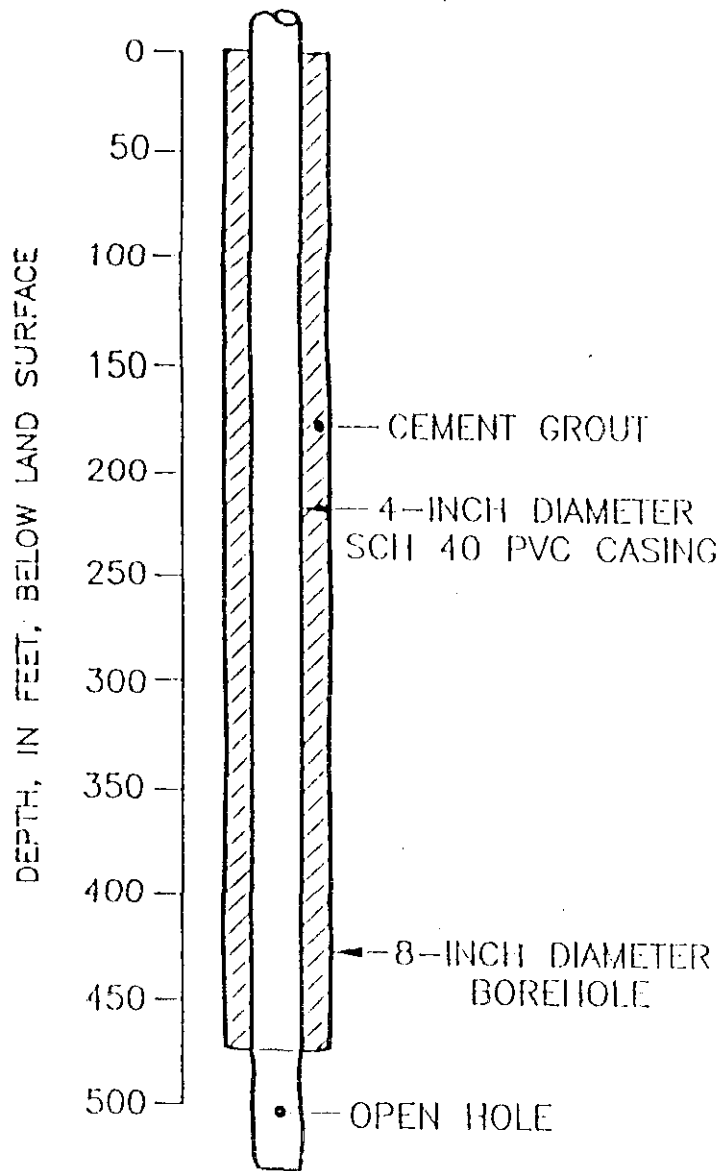
PROJECT NAME: COLLIER COUNTY - ASR

PROJECT NUMBER: 01-09342.00

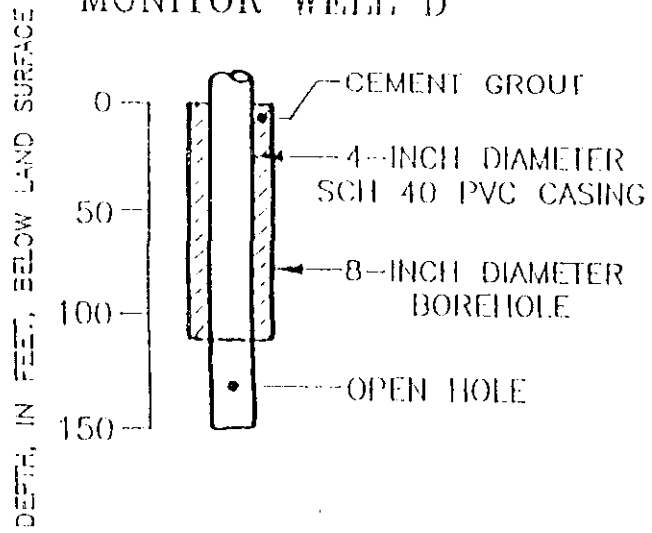
MISSIMER
DIVISION

FIGURE 4. ASR WELL AND MONITOR WELL LOCATIONS.

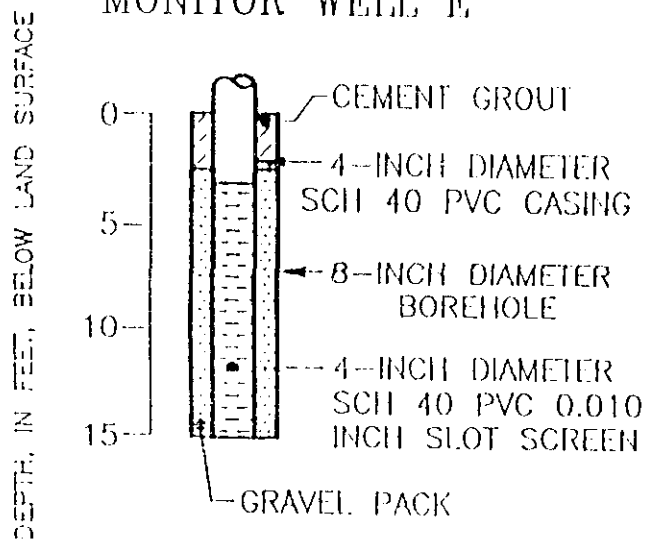
MONITOR WELLS B AND C



MONITOR WELL D



MONITOR WELL E



COPIED FROM EDEP 11a

12

M&A	<i>ENVIRONMENTAL AND GROUNDWATER SERVICES</i>			Missimer & Associates, Inc.
	PROJECT NAME:	DRN. BY:	DWG NO.:	
			PROJECT NUMBER:	

FIGURE 3 . CONSTRUCTION DETAILS OF ASR MONITOR WELLS