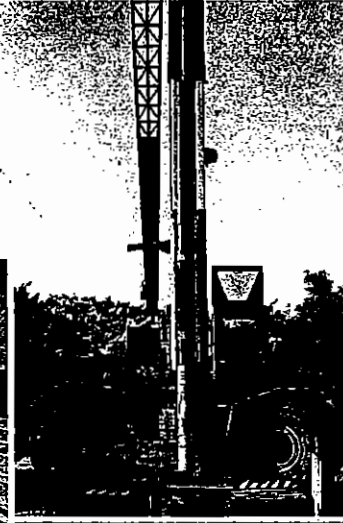


Port St. Lucie North

Class I Injection Facility No. 30

ENGINEERING REPORT ON THE
**Log and Packer Installation in
the Deep Injection Well**
at the
**Port St. Lucie North Port Wastewater
Treatment Plant**



Prepared for
Port St. Lucie Utility Systems Department

Prepared by
CH2MHILL
In Association with
Culpepper and Terpening

May 1999

FLORIDA

St. Lucie County

To Fort Pierce

Injection and Monitor Well Locations

North Port Wastewater Treatment Plant

St. James Dr.

Prima Vista Blvd.

To US1

U.S.G.S. Ankona Quadrangle

Scale in Feet

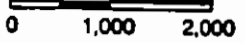
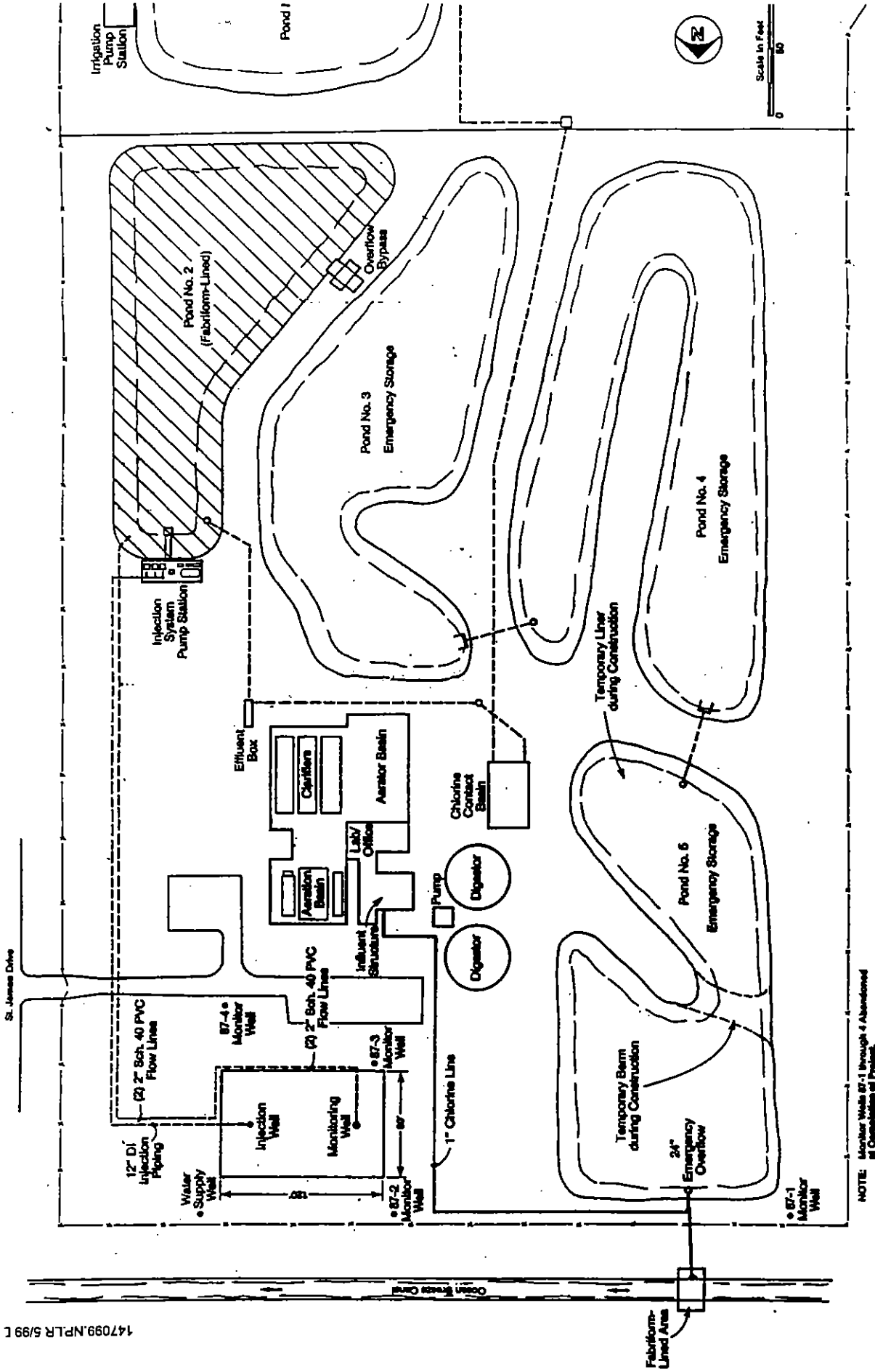


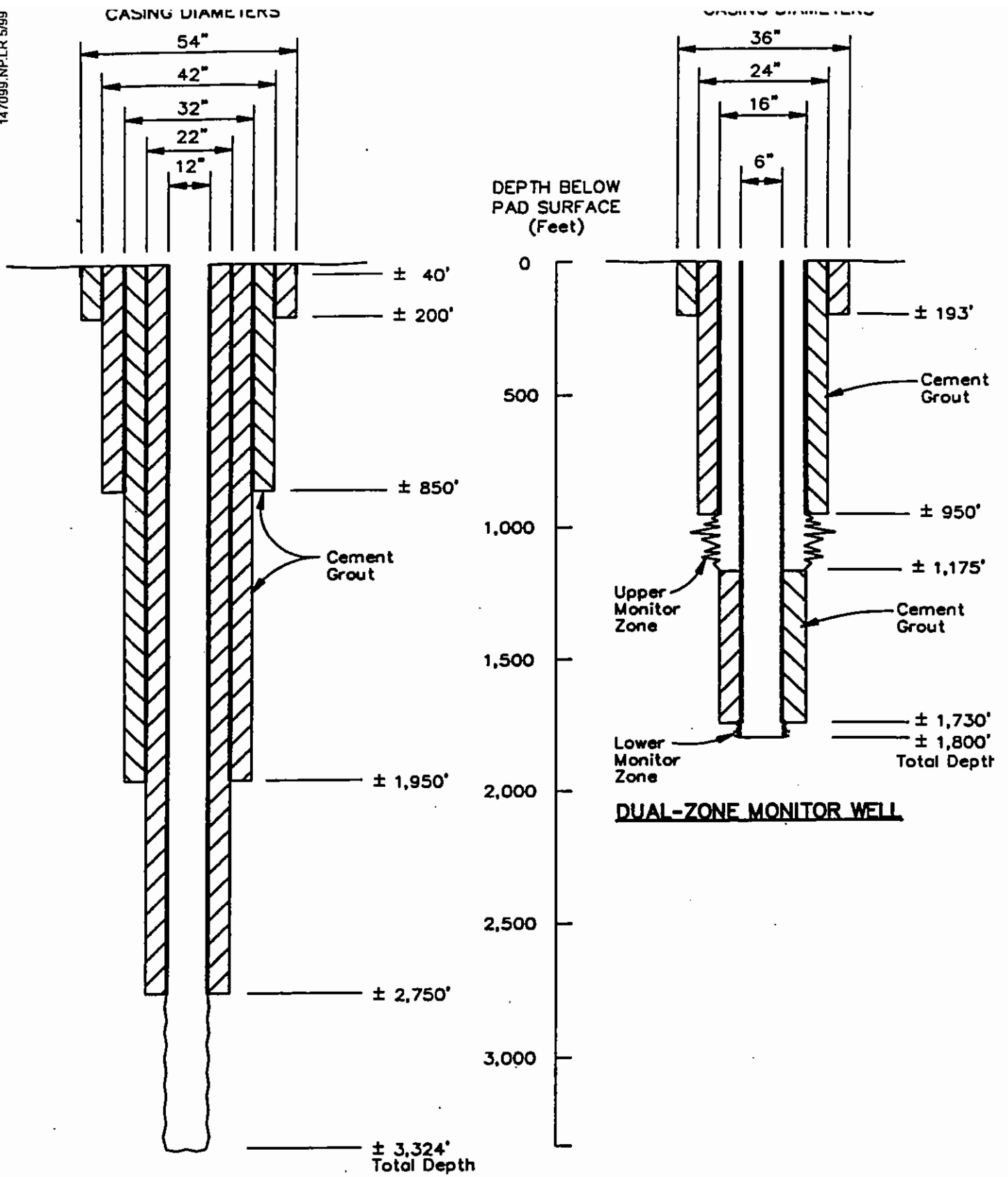
Figure 1-1

Location of the North Port St. Lucie WWTP, Port St. Lucie, Florida



NOTE: Monitor Wells 87-1 through 4 Abandoned at Completion of Project.

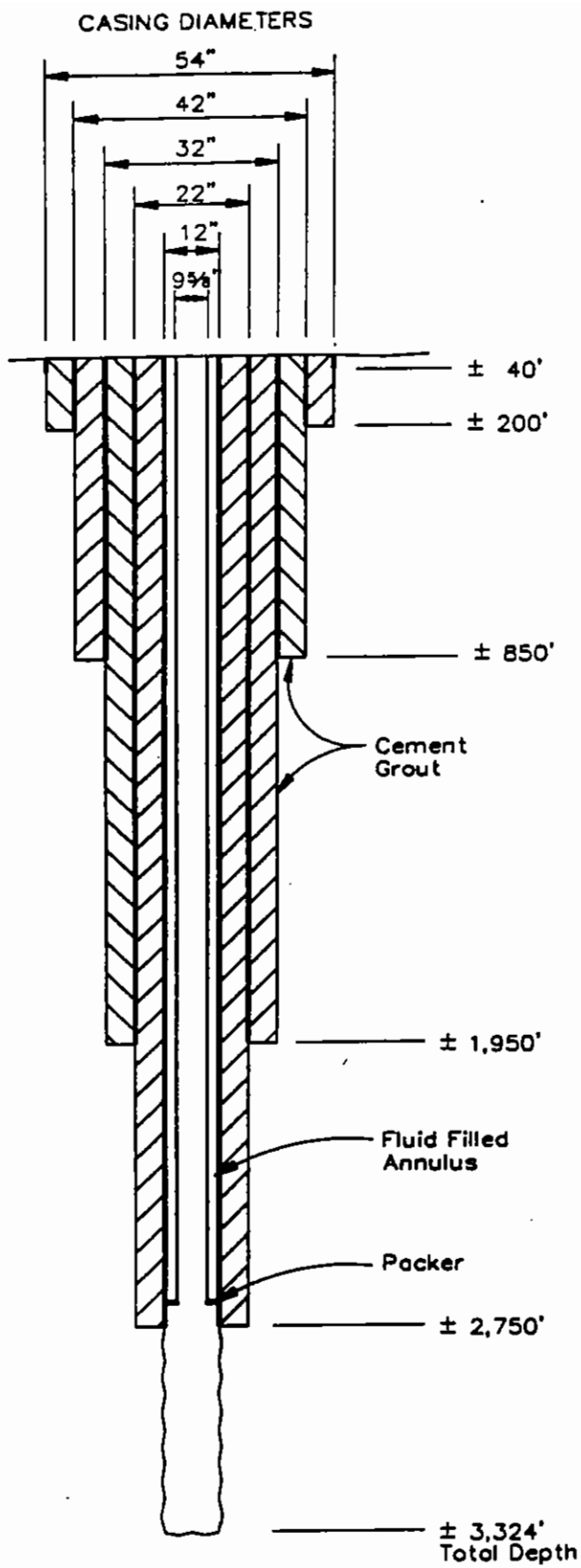
Figure 1-2 Site Plan of the North Port St. Lucie WWTP Injection Well System



INJECTION WELL

DUAL-ZONE MONITOR WELL

Figure 1-3 remodification diagram of the North Port Deep Injection Well System



INJECTION WELL

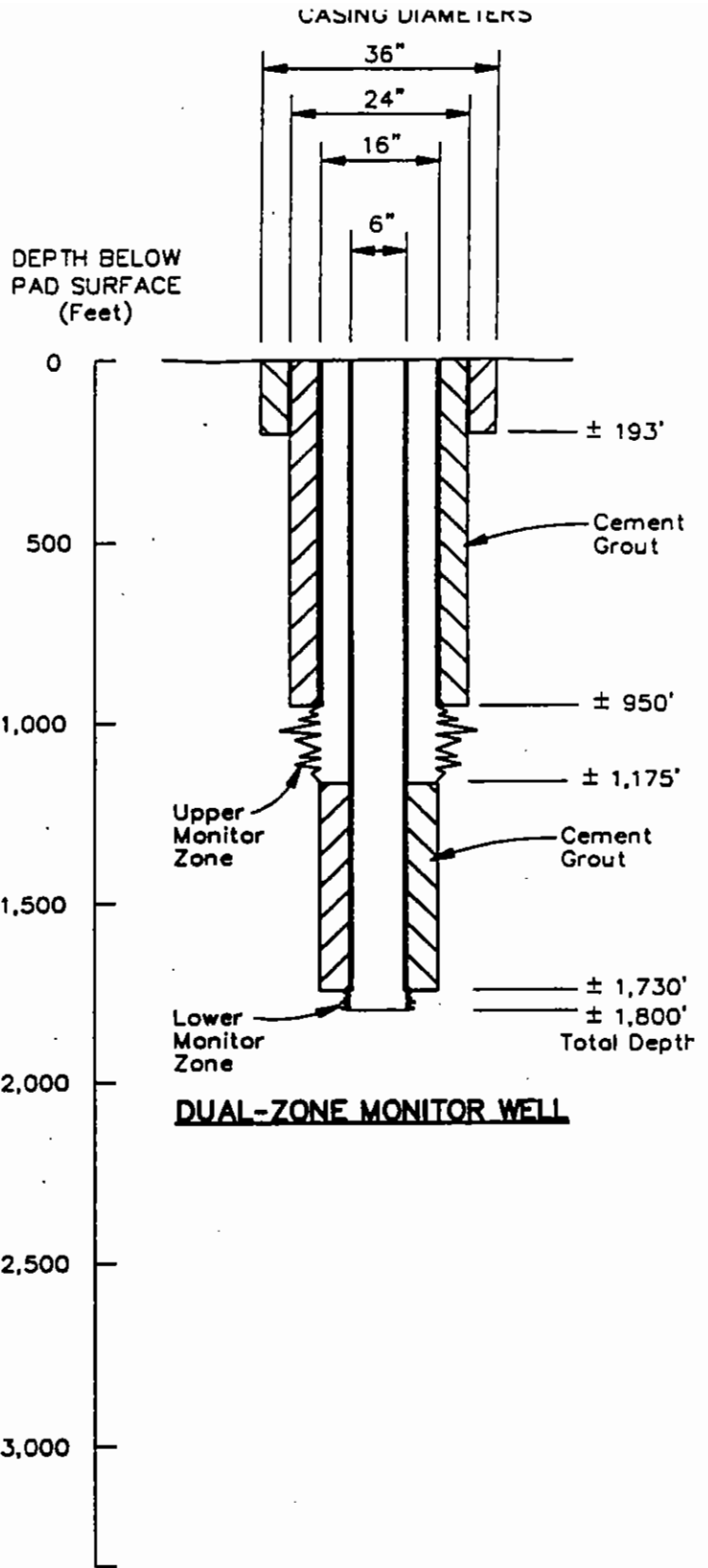


Figure 2-2

Modifications to the North Port St. Lucie WWTP Injection Well