

Site Name <b>LABELE</b>		Date of Field Work <b>10-jun-09</b>
Party Chief <b>Hollin</b>	Field Book Name/Number <b>Misc6H</b>	Page Number(s) <b>71-76</b>
Site Benchmark Name <b>LA5Reset</b>	Benchmark Elevation (NAVD88) <b>17.055'</b>	Corpscon 6.0.1 Datum Offset to NGVD29 <b>1.358'</b>
Reference Elevation (NAVD 88) <b>19.385' GW1</b> <b>19.805' GW2</b> <b>19.765' GW3</b>		Existing Tag Elevation (Datum) None
Latitude <b>26° 45' 11.45"</b>		Longitude <b>81° 28' 18.47"</b>

Notes: Tagged in NGVD29

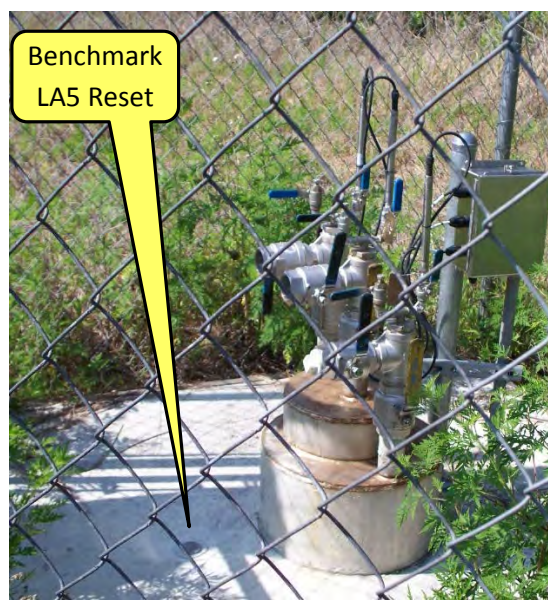
Photographs

Overall Site



Looking East

Benchmark Location



Looking North

GW1 Brass Tag Close Up



Brass Tag + Reference Mark





GW2 Brass Tag Close Up



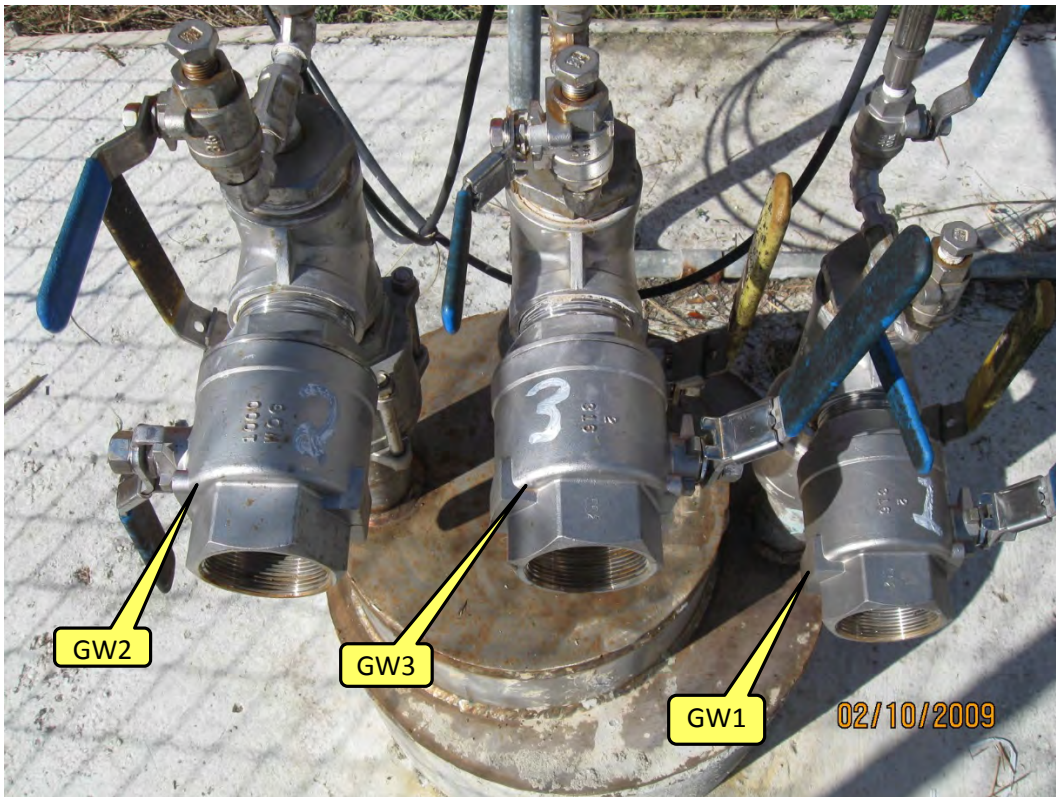
Brass Tag + Reference Mark



GW3 Brass Tag Close Up

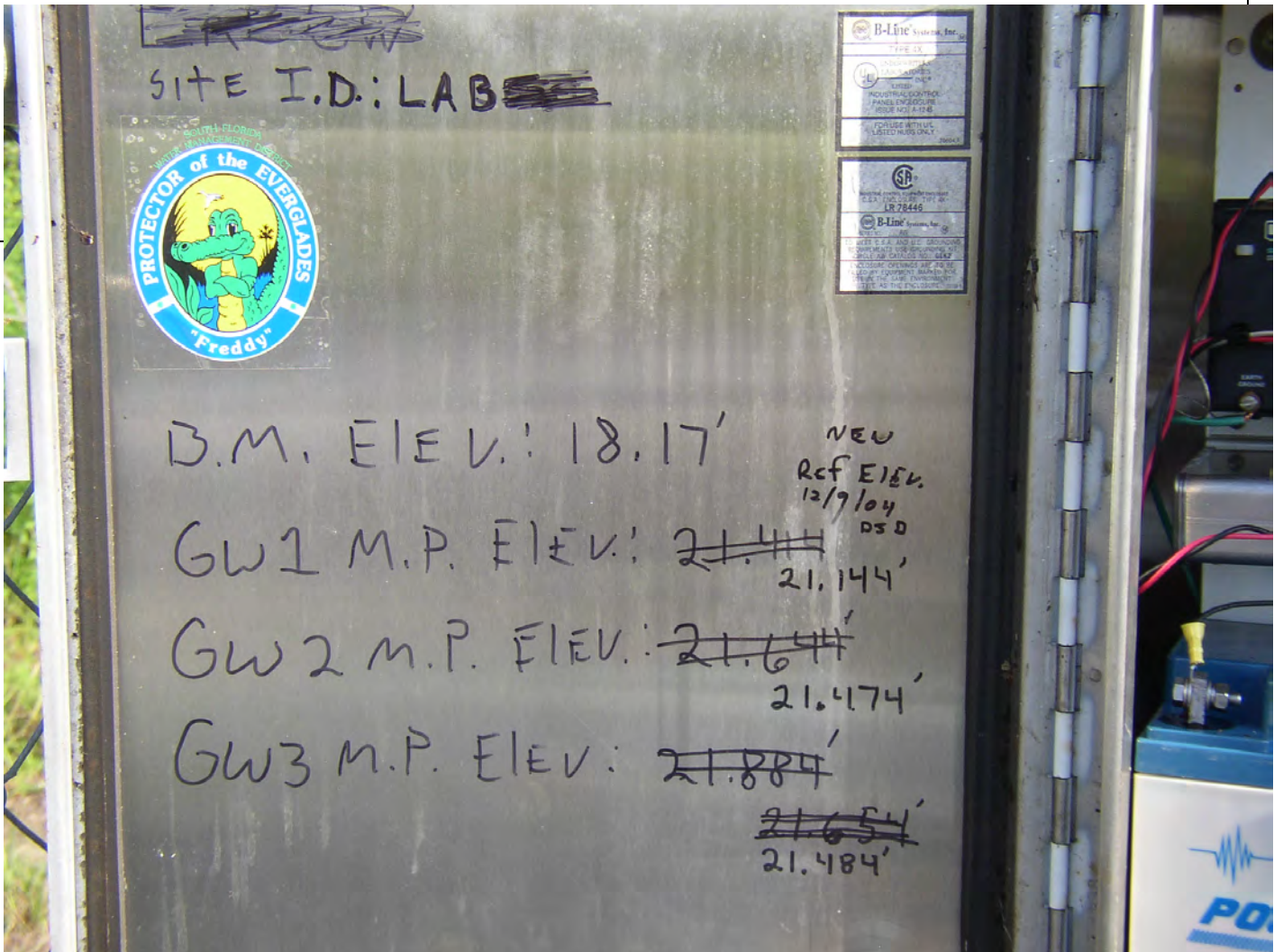


Brass Tag + Reference Mark





PICTURE



Written at well  
(SCADA Picture (18-jul-06))



LEVELS TO SET ELEVATIONS ON RECORDERS  
LAB PW1 & LAB PW2 FROM HUDSON'S LEVEL LINE  
IN HENRY CO LEVELS FB#3

CHECK HUDSON'S STARTING BENCH

STA	+	HI	-	ELEV.	BMELEV
BM					NGVD 29 15.60
	4.64 2.13	20.240			
BM			4.592 2.178	15.648	15.636
		RETURN			ERROR 0.012

	4.610 2.160	20.258			
BM			4.656 2.113	15.602	15.60

LEVELS FROM LA 4 TO LA 5 RESET

BM					15.68
	4.87 1.90	20.55			
T.P.			4.27 2.50	16.28	
	2.77 4.00	19.05			

CONT'D. on Pg. 72

Sec 12  
Twp 43  
Rge. 28

COMMENTS

BM LA BELLE RESET AS PER SFMMO DATA BASE  
1937 1975

BM D 73 1934

BM. LABELLE RESET

BM LA 4 RECOVERED AS DESCRIBED







STA	+	HI	-	ELEV.	BMELEV
		22.18			
BM			3.86 2.91	18.32	BM 18.33 ADJ
RETURN LEVELS					
BM				18.32	ADJ 18.33
	3.81 2.96	22.13			
T.P			5.10 1.67	17.03	
	5.41 1.36	22.44			
T.P			5.60 1.17	16.84	
	5.10 1.67	21.94			
T.P.			4.53 2.24	17.41	
	3.29 3.48	20.70			
T.P.			6.39 0.38	14.31	
	3.48 3.29	17.79 <del>18.20</del>			

CONT'D ON Pg-74

SECTION 12  
 TWP. 43 S  
 RGE 28 E

SITE LABELLE  
 BM LAS RESET 2009 0.6' W. OF WELL EAST  
 2.2' E. OF GATE

BM LAS RESET 2009 TO REACH FROM THE INTERSECTION OF S.R-80 & S.R. 29 @ THE HENERY COUNTY COURTHOUSE GO N. ON S.R-29 1.0 MILE TO THE INTERSECTION OF COUNTY ROAD (C.R) 78, THEN GO WEST ON C.R-78 FOR 3.3 MILES TO CALOOSH SHORES DRIVE ON THE LEFT, THEN GO ON CALOOSH SHORES DRIVE FOR 0.2 MILES TO A SECURITY GATE, CONTINUE THRU GATE FOR 100'± TO A GRASS COVERED TRAIL & GATE ON SOUTH SIDE OF ROAD. THEN GO W. S.W. ON TRAIL FOR 0.19 MILES TO A SMALL FENCE AREA AROUND THE S.F.W.M.D. WELL SITE "LABELLE" THE MARK IS 0.6' E. OF THE WELL AND 2.2' E. OF THE GATE TO ACCESS THE SITE, THE MARK IS A S.F.W.M.D. ALUM. DISK STAMPED LAS RESET 2009 BM



STA	CONT'D. FROM PG-73	H	ELEV	BM ELEV
T.P.	+	HI 17.79 <del>18.25</del>	4.04 2.73	13.75 <del>14.16</del>
T.P.		5.18 1.59	2.49 4.28	16.44 <del>16.85</del>
T.P.		3.64 3.13	4.03 2.74	16. <del>96</del> <sup>05</sup>
T.P.		3.02 3.75	2.83 3.94	16. <del>63</del> <sup>24</sup>
BM.		3.54 3.23	4.12 2.65	15.66 <del>15.07</del> 15.68

LEVELS CONT'D. TO LA-6 2009

BM				18.33
BM		2.85 3.92	5.37 1.40	15.81 15.81

TRAIL FOR 0.22 MILES TO A SMALL FENCED AREA ON YOUR LEFT AND STATION LOCATION. STATION IS LOCATED @ THE S.E. CORNER OF CONCRETE IN FENCED AREA. MARK IS A FOUND 3" BRONZE DISK STAMPED LA 6 2009 BM

COMMENTS

ERROR 1ST RUN 0.00  
ERROR RET. RUN -0.02  
ADJUST + 0.01

BM LA 4

BM LA 5 RESET 2009 PG-73

SITE LAB PW 2  
BM LA 6 2009 TO REACH FROM THE INTERSECTION OF S.R. 804 & S.R. 29 @ THE HENDRY COUNTY COURT HOUSE, GO NORTH ON SR-29 FOR 1.0 MILES TO THE INTERSECTION OF C.R. 78 THEN GO WEST ON C.R. 78 FOR 3.3 MILES TO THE INTERSECTION OF CALDOOSE SHORES DR. THEN GO EAST ON CALDOOSE SHORES DRIVE FOR 0.2 MILES TO THE SECURITY GATE, THEN GO THRU GATE FOR 100' E TO A GRASS COVERED TRAIL ON S. SIDE OF ROAD, GO S.W.S ON  
← CONTINUED



CONT'D FROM PG-74  
+ HI  
RETURN LEVELS

STA	ELEV.	BM/ELEV.
BM	15.81	15.81

5.40  
1.37 21.21

BM	2.88 3.89	18.33 18.33
----	--------------	-------------

LEVELS TO WELLS (a) LAB PW2 SITE  
3 WELLS (2 ARTESIAN & ONE GROUND WATER)

BM		15.81
----	--	-------

4.36  
2.41 20.17

18.895

GROUND WATER	4.63 2.14	15.54 14.265
--------------	--------------	--------------

90° ELBOW w/ ARTESIAN	1.52	18.65 17.375
--------------------------	------	--------------

ARTESIAN	1.37	18.80 17.525
----------	------	--------------

BM	4.36 2.41	15.81
----	--------------	-------

COMMENTS

BM. LA 6 2009 PG-74

B.M. LA 5 RESET 2009

B.M. LA 6 2009 PG-74

15.801' NGVD29  
14.535' NAVD88

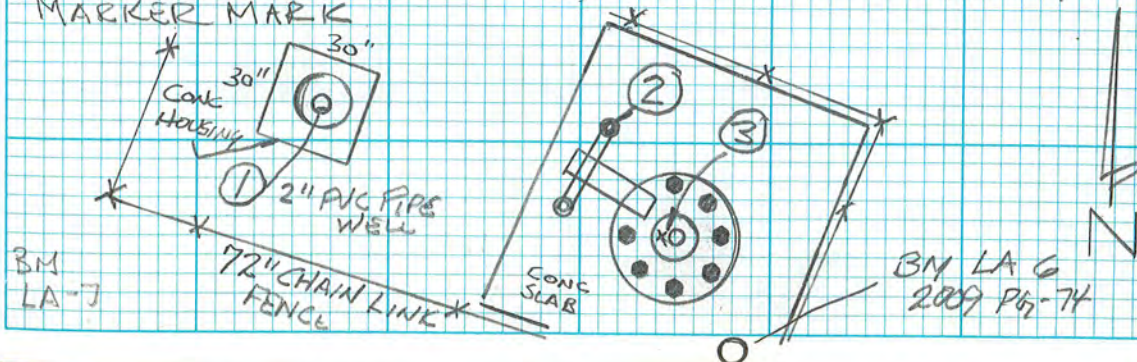
NOTE:  
REF. MARK

NOTE THE TOP OF THE  
2" S.S. CAP IS 0.24'  
HIGHER THAN THE  
TOP OF THE 5" S.S.  
REDUCER WITH THE  
"X" MARK  
ELEVATION OF 2" S.S.  
PIPE IS 19.04'

1 TOP & S. SIDE OF 2" P.V.C. PIPE WELL ON WESTERLY  
END OF FENCED AREA OF WELL SITE LAB PW2. WELL IS  
LOCATED IN A CONC. PROTECTIVE HOUSING 30" x 30". A BLACK  
MAGIC MARKER MARK SHOWS LOCATION OF ELEVATION

2 TOP OF & S. SIDE OF 90° ELBOW UNDER TRANSDUCER.  
A FOUND BLACK MAGIC MARKER MARK SHOWS THE  
LOCATION OF THE ELEVATION

3 TOP & WESTERLY SIDE OF A 5" STAINLESS STEEL PIPE  
REDUCER TO 2" CONNECTING TO A 3/4" AND THEN THE S.S. 30" INSTRUMENTS  
A "X" MARK IS SET @ THE FOUND BLACK MAGIC  
MARKER MARK



BM  
LA-7

BM LA 6  
2009 PG-74



STA	+	#1	-	ELEV	BMELEV
BM					18.33
	4.44	22.77			
	2.33	21.495			
#1			2.11	20.66	19.385'
#2			1.69	21.08	19.805
#3			1.73	21.04	19.765
BM	4.44			18.33	
	2.33				

COMMENTS

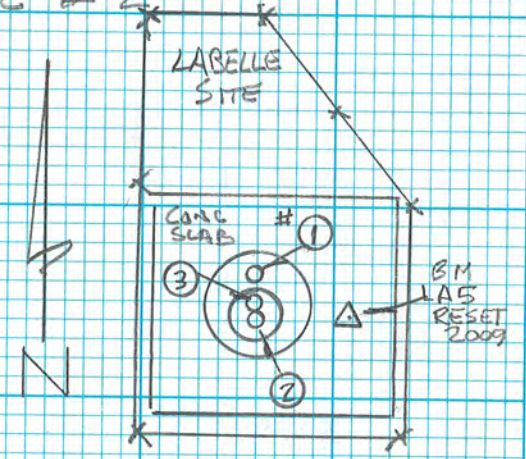
BM LA 5 RESET 2009 PG-73

18.321' NGVD 29  
17.055' NAVD88

GATE VALVE  
WELL #1 TOP OF COMPRESSION MAT BELOW TRANSDUCER (SENSOR) OF N. MOST WELL MARK #1

GATE VALVE  
WELL #2 TOP OF COMPRESSION MAT BELOW TRANSDUCER OF S. MOST WELL MARK #2

WELL #3



BM LA 5 RESET 2009 PG-73







SEC. 31, 32 TOP. 425 RGE. 29E  
1, 12 435 28E

LEVEL LINE TO ESTABLISH ELEV. of ADDICER  
 MONITOR DAMS of DISTRICT OWNED LAND  
 ADJACENT TO C-43 CANAL, GOVT LOT #2  
 PARCEL B in SEC. 12, TWP. 43S, RGE 28E.

- REFS 1) MEMO TO MARIETTE MCCOY, FROM MICHAEL BENNETT  
 3-5-98 DESCRIBING REQUEST & DAM LOCATIONS  
 2) Bm DECRIP. SHEETS  
 3) LABELS, AWA, SCARS QUAD SHEETS

STA + HI - ELEV. Bm

				15.64 ✓ [NAVD 1929]
	4.79 2.47	20.43		
TP			10.30 0.90	14.07
	4.73 2.53	18.20		
TP			5.41 1.85	13.39
	4.20 3.06	17.59		
TP			4.39 2.87	13.20
	5.17 2.09	18.37		
TP			4.57 2.69	13.80
	5.43 1.83	19.23		

LEVELS CONTD Pg. 30

HP HUDSON  
 T GERARD  
 P MORRISSEY

COMMENTS

Fd. Bm "D-73" AS PER DECRIP. SHEET



LEVELS CONT'D FB. 20-29

STA	+	HI	-	Elev.	Bm
IP		19.23	4.83 2.43	14.40	
	5.52 1.74	19.92			
IP			1.80 5.40	18.12	
	11.07 2.20	29.19			
IP			0.53 6.73	28.66	
	10.24 3.03	38.90			
IP			5.30 1.96	33.60	
	0.74 0.52	34.34			
IP			12.52 0.75	21.82	
	1.17 0.09	22.99			
Bm			12.41 0.80	10.58	10.585 (ADS)

RETURN LEVELS

	7.07 0.19	17.65			
			2.90 4.30	14.69	
	5.20 2.00	19.89			

RETURN LEVELS CONT'D Pg. 31

Comments

SET Bm LA1 A S.F.D.M.D. ALUM CAP SET IN CENTER OF SOUTH END OF A CONC CUL. HEADWALL @ THE S.W. COR OF JCT. OF C.R. 78 & S.R. 29 @ THE NORTH END OF THE LABELLE BRIDGE. MARK IS 29.0' SOUTH OF THE E OF C.R. 78 & 80' WEST OF THE E OF S.R. 29 STAMPED "Bm LA1 1998"

SEC. 32      TOP ADS      Rhi 29E





RETURN LEVELS CONTD FR P. 30

SIA	+	HI	-	ELEV.	Bm
		19.89			
IP			5.29	14.60	
	4.66	19.26	1.97		
	2.60				
IP			5.69	13.57	
	4.73	18.50	1.57		
	2.33				
IP			5.65	12.85	
	5.06	17.91	1.61		
	2.20				
IP			4.83	13.08	
	5.44	18.52	2.43		
	1.82				
IP			4.32	14.20	
	6.03	20.23	2.94		
	1.23				
Bm			4.60	15.03	15.64
			2.66		

END RETURN LEVELS

LEVELS CONTD FR P. 32

COMMENTS

W HUSSON  
T GRAHAM  
& MORRISSEY

Bm 17.73 76.29 (ERROR 0.01)



STA	LEVELS FB LA1 TO LA2		EVAL	Bm
	+	HI		
	10.24 5.03	18.83	3.33 3.93	15.50
IP	4.76 2.50	20.20	1.82 2.44	15.44
IP	4.25 3.01	19.69	5.25 2.01	14.44
IP	5.12 2.14	19.56	5.09 2.17	4.47
IP	5.41 1.85	19.88	5.59 1.67	14.29
IP	5.16 2.10	19.45	4.15 3.11	15.30
IP	4.88 2.38	20.18	5.03 2.23	15.15
IP	5.05 1.61	20.80		

Bm 10.59  
(KPS)

LEVELS CONTD Pg. 33

COMMENTS  
Bm LA1 Pg. 30

W. MOSSER  
T. MORRISSEY  
G. GRAHAM



LEVELS CONTD FB. Pg. 32

STA	+	HI	-	Elev	Bm
IP		20.80	3.75 3.51	17.05	
	1.78 2.48	21.83			
IP			5.09 2.17	16.74	
	3.02 3.64	20.30			
IP			4.96 2.30	15.40	
	4.64 2.62	20.64			
IP			4.00 3.20	15.98	
	5.07 2.19	21.05			
Bm			4.87 2.39	16.18	16.18

RETURN LEVELS

	4.83 2.43	21.01			
IP			5.04 2.22	15.97	
	4.12 3.14	20.09			
IP			4.74 2.52	15.35	
	5.11 2.15	20.40			

RETURN LEVELS CONTD Pg. 3A

COMMENTS

W. HUDSON  
T. MORRISSEY  
D. GRAMM

SET Bm "LAZ" A S.E.D.M.D. ALUM CAP IN TOP OF THE EAST END OF THE NORTH CONC. HEADWALL OF A CONC. BRIDGE @ A SMALL DITCH ON C.R. 78 0.89 MILES WEST OF S.R. 40/29 STAMPER "Bm LAZ 1998" SEC. 32, TWP. 42S, R6E 29E



RETURN LEVELS CONT'D FR. Pg. 33

STA	+	HI	-	ELEV.	Bm
		20.40			
IP			3.74 3.52	16.72	
	5.28 1.98	22.00			
IP			4.99 2.27	17.01	
	3.79 3.47	20.80			
IP			5.09 1.57	15.11	
	4.89 2.37	20.00			
IP			4.71 2.55	15.29	
	3.70 3.50	18.99			
IP			4.89 2.37	14.10	
	5.79 1.47	19.89			
IP			5.47 1.79	14.42	
	4.79 2.47	19.21			
IP			4.79 2.47	4.42	
	5.17 2.09	19.59			
IP			4.15 3.11	15.44	
	4.78 2.48	20.22			

RETURN LEVELS CONT'D Pg. 35

COMMENTS



RETURN LEVELS CONTD Pg. 34

STA	+	HI	-	elev.	Bm
		20.22			
TP			4.65 2.61	15.57	
	3.42 3.84	18.99			
Bm			8.40 4.87	10.59	10.59 (455)

END RETURN LEVELS

LEVELS CONTD FR. Bm LA2 TO Bm LA3

Bm					16.18
	4.75 2.51	20.93			
TP			5.28 1.98	15.65	
	4.64 2.62	20.29			
TP			4.53 2.73	15.76	
	4.30 2.90	20.00			
TP			4.27 2.99	15.79	
	4.90 3.30 2.30	20.75			
TP			5.14 2.12	15.61	
	5.64 1.62	21.25			

LEVELS CONTD Pg. 30

Comments

W. Lutzson  
K. MORRISSE!  
P. GRANTAM

Bm LA1 Pg. 30 (ERROR 0.00)

Bm LA2 Pg. 33



LEVELS CONTD Pg. 35

STA	+	HI	-	Elev.	Bm
		21.25			
TP			4.57 2.69	16.68	
	5.30 1.96	21.98			
TP			4.73 2.53	17.25	
	5.02 2.24	22.27			
TP			5.33 1.93	16.94	
	5.24 2.02	22.18			
TP			4.63 2.63	17.55	
	4.75 2.51	22.30			
TP			3.91 3.35	18.39	
	5.52 1.74	23.91			
TP			4.29 2.97	19.62	
	5.29 1.97	24.91			
TP			4.33 2.93	20.58	
	5.08 2.18	25.66			
			5.00 2.26	20.66	
	4.76 2.50	25.42			

LEVELS CONTD Pg. 37

Comments

W HUDSON  
T GRAYMAN  
D ADRESSE!



LEVELS CONTD FB 30

STA	+	HC	-	ELEV.	Bm
		25.42			
IP			4.70 2.50	20.72	
	4.21 3.05	24.93			
IP			4.05 3.21	20.88	
	4.68 2.58	25.50			
Bm			5.38 1.68	19.98	19.99 (405)

RETURN LEVELS

	5.52 1.74	25.50			
IP			4.62 2.64	20.88	
	3.82 3.44	24.70			
IP			4.62 3.24	20.68	
	3.99 3.27	24.67			
IP			4.02 3.24	20.65	
	4.58 2.68	25.23			
IP			4.62 2.64	20.61	
	3.95 3.31	24.50			

RETURN LEVELS CONTD FB 38

COMMENTS

Fd. S.R.D. BRASS CAP IN CENTER OF SOUTH CONC. HEADWALL OF A CONC BOX CULV. ON C.R. 78 2.05 MILES WEST OF S.R. HWY 29 @ LORELLI BRIDGE + 100' EAST OF CRESCENT AVE. S.W. @ THE FC. OF CURVE STAMPED "LAB 1998"  
SEC. 1 TSP. 435 RSC. 286



RETURN LEVELS CONT'D FR. P. 37

STA	+	H <sub>2</sub> O	-	Elev.	Bm
TP		24.50	4.99 2.27	19.57	
	4.03 3.23	23.60			
TP			5.27 1.99	18.35	
	4.05 3.21	22.38			
TP			4.84 2.42	17.54	
	4.30 2.90	21.84			
TP			4.43 2.83	17.41	
	4.72 2.54	22.13			
TP			4.92 2.34	17.21	
	4.90 2.30	22.11			
TP			5.40 1.80	16.65	
	4.54 2.72	21.19			
TP			4.77 2.49	16.42	
	4.31 2.95	20.73			
TP			4.92 2.34	15.81	
	4.24 3.02	20.05			

RETURN LEVELS CONT'D FR. P. 39

Comments

H  
G  
M

Hudson  
Graham  
Morrissey



RETURN LEVELS CONTD FR. Pg. 38

STA	+	HI	-	Elev.	Bm
		20.05			
TP			4.36 2.90	15.69	
	4.65 2.61	20.34			
TP			4.74 2.52	15.60	
	5.35 1.91	20.95			
Bm			4.79 2.47	16.16	16.18 ✓

END RETURN LEVELS

Bm	LEVELS	CONTD FR. LA3	TO LA4	
	4.80 2.40	24.85		19.99 (4.85)
TP			4.73 2.53	20.12
	4.73 2.53	24.85		
TP			5.00 2.20	19.79
	4.51 2.75	24.30		
TP			3.85 3.41	20.45
	4.90 2.30	25.41		

LEVELS CONTD FR. 40

Comments

32 42 29

Bm LA2 Pg. 33 (ERROR 0.02)

Bm LA3 Pg. 37

Handwritten signature or initials in red ink.



LEVELS CONTD FR. PG. 39

STA	+	LI	-	Elev.	Bm
		25.41			
IP			5.15 2.11	20.26	
	4.52 2.74	24.78			
IP			5.00 2.20	19.72	
	4.90 2.30	24.62			
IP			5.30 1.96	19.32	
	5.14 2.12	24.40			
IP			5.10 2.10	19.36	
	4.81 2.45	24.17			
IP			5.30 1.96	18.87	
	4.47 2.79	23.34			
IP			5.43 1.83	17.91	
	4.33 2.93	22.24			
Bm			6.56 0.70	15.68	15.68
		<u>RETURN</u>	<u>LEVELS</u>		
	6.54 0.72	22.22			
		<u>RETURN</u>	<u>LEVELS</u>	<u>CONTD</u>	<u>PG. 41</u>

Comments

II HUDSON  
I MORRISSEY  
φ CRANW

FB S.2.D. BRASS CAP IN CENTER OF EAST COLG.  
HEADJALL OF A COKE BOX COW. ON C.R. 7B,  
2.85 MILES WEST OF SR HWY 29 @ LABELLE  
BRIDGE STAMPED "LAA 1998"  
SEC. 1 TOP 435 REC. 28E



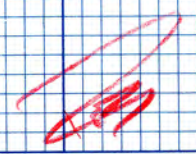
RETURN LEVELS CONT'D Pg. 40

STA	+	HI	-	Elev.	Bm
		22.22			
TP			4.31 2.75	17.91	
	5.44 1.82	23.85			
TP			4.50 2.76	18.85	
	5.10 2.16	23.95			
TP			4.62 2.64	19.33	
	5.18 2.08	24.51			
TP			5.17 2.69	19.34	
	5.19 2.07	24.53			
TP			4.83 2.43	19.70	
	5.13 2.13	24.83			
TP			4.62 2.64	20.21	
	5.19 2.07	25.40			
TP			4.72 2.54	20.68	
	3.90 3.30	24.64			
TP			4.84 2.42	19.80	
	4.95 2.31	24.75			

RETURN LEVELS CONT'D Pg. 42

COMMENTS

W. HUDSON  
T. MOLESSEY  
P. GRAHAM





RETURN LEVELS CONTD FR. Pg. 41

STA	+	HI	-	ELEV.	Bm
		24.75			
TP			4.64	20.11	
	4.77		2.62		
	2.49	24.88			
Bm			4.89	19.99	19.99 ✓
			2.37		

END RETURN LEVELS

LEVELS CONTD FR. LA4 TO LA5

Bm					5.68 ✓
	5.24				
	2.02	20.92			
TP			4.72	16.20	
			2.54		
	4.72				
	2.54	20.92			
TP			5.16	15.76	
			2.10		
	5.93				
	1.83	21.69			
TP			6.01	15.68	
			1.25		
	2.60				
	2.60	18.34			
TP			4.77	13.57	
			2.49		
	5.46				
	1.80	19.03			

LEVELS CONTD FR. 43

Comments

32 42 29

Bm LA3 Pg. 37 (Error 0.00')

Bm LA4 Pg. 40

1 43 / 28

H HUDSON  
T GRAHAM  
p MORRISSEY

*[Red scribble]*



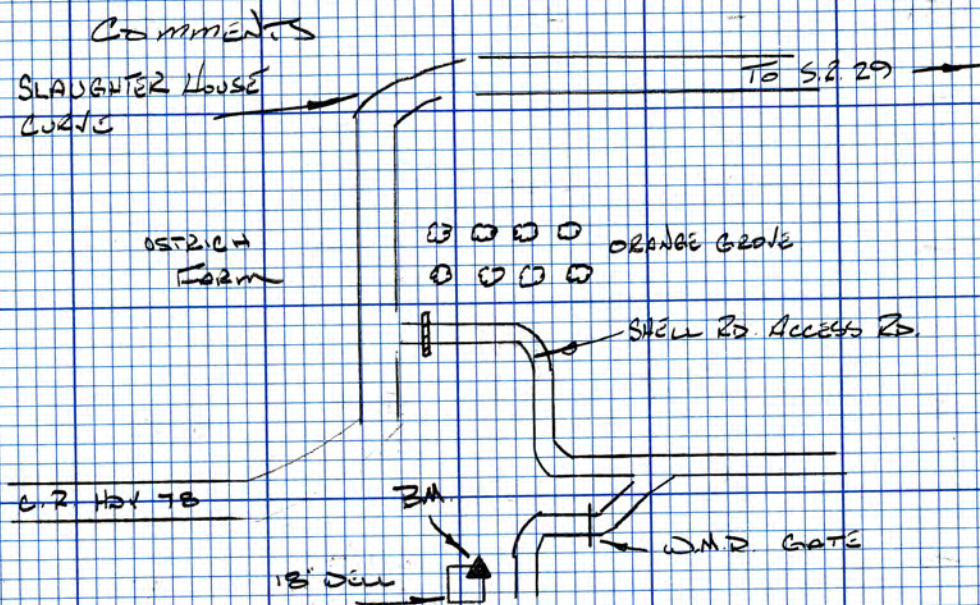
LEVELS CONT'D Pg. 42

STA	+	HC	-	ELEV.	Bm
		19.08			
IP			5.34 1.92	18.69	
	4.68 2.58	18.37			
IP			0.21 7.05	18.16	
	3.54 3.72	21.70			
IP			5.15 2.11	16.55	
	5.85 1.41	22.40			
IP			4.90 2.36	17.50	
	5.11 2.15	22.61			
Bm			4.45 2.81	18.16	18.165 (ADD)

RETURN LEVELS

	4.40 2.86	22.56			
IP			5.06 2.20	17.50	
	4.86 2.40	22.36			
IP			5.83 1.43	16.53	
	5.07 2.19	21.60			

RETURN LEVELS CONT'D Pg. 44



SET Bm LAS A S.F. J.M.D. ALUM CAP SET IN TOP OF THE NEW COR OF A CONC. DWELL PAD OR DWELL LOCATED OFF C.R. 78, WEST 3.0 MILES E. OF C.R. 78 & S.R. 29 @ FOOT OF LABELLE BRIDGE, FOLLOW ACCESS RD EAST FOR + 0.3 MI TO FORK IN RD, TAKE RIGHT FORK, THEN J.M.D. GATE, + 0.2 MI TO 18' DWELL IN CENTER OF 6' X 6' CONC. PAD & 6' CHAIN LINK FENCE STAMPED Bm LAS 1998

SEC 12 TWP 43S R26E T38E

*[Handwritten signature]*



RETURN LEVELS CONT'D FB # 43

STA	+	HI	-	elev.	Bm
		21.60			
TP			3.44 3.82	18.16	
	0.26 7.00	18.42			
TP			4.79 2.47	13.63	
	5.44 1.82	19.07			
TP			5.58 1.68	13.49	
	4.81 2.45	18.30			
TP			2.64 4.62	15.66	
	5.72 1.54	21.38			
TP			5.42 1.84	15.96	
	4.71 2.55	20.67			
TP			4.52 2.74	16.15	
	4.92 2.34	21.07			
Bm			5.40 1.86	15.67	15.68 ✓

END RETURN LEVELS

elev's on Wells # 45

Comments

W HUDSON  
T CHAZWAM  
φ MORRISSE!

1  
43  
28

Bm L44 FB. 46 (ERROR 0.01')

*DM*



ELEVS ESTABLISHED TOP OF CONC DELL PADS  
AS PER PG. 29

STA	+	HT	-	ELEV.	Bm
Bm					18.17 (LOS)
	3.01 4.25	21.18			
TBM			3.02 4.24	18.16	
TBM			5.45 1.81	5.73	
		<u>RETURN</u>	<u>LEVELS</u>		
	5.42 1.84	21.15			
Bm			2.98 4.28	18.17	18.17 (LOS)

END LEVELS PG. 29

12 43 28

COMMENTS  
Bm LAS PG. 43  
RT HUDSON  
MORRISSE  
G. GRAHAM

MARK CUT IN CONC BASE OF A 18" DELL #1  
WELL IS 2.5' HIGH, IN CHAIN LINK FENCE.

MARK CUT IN CONC. BASE OF A 12" DELL #2.  
WELL IS 4' HIGH, IN CHAIN LINK FENCE

NOTE: FOR DELL LOCATIONS, SEE Bm LAS DECP  
PG. 43

Bm LAS PG. 43 (ERROR 0.00')



PROJECT:  
LINE FROM D 73 TO LA 5

FIELD BOOK H COW 3  
PARTY CHIEF HUDSON

ORDER 3<sup>RD</sup>  
COUNTY HENRY

ADJ. BY H E  
DATE 11/11/88

SECTION	DISTANCE	F B	SUM ROD READINGS		DIFF. ELEV.	MEAN DIFF.	ELEVATIONS			REMARKS
			BACK +	FWD. -			UNADJ.	CORR.	ADJ.	
LABELL RST									15.664	4.368m 88 4.756m 29 (PUB)
		F	4.64	4.572	+0.048					
		B	4.610	4.656	-0.046					(START)
D 73						+0.047		0.014	15.636	4.380m 88 4.766m 29 (PUB)
						+0.0328 PUB				0.386m -1.2664
		F	53.06	58.12	-5.06					
		B	38.39	33.34	+5.05					
LA 1						-5.055			10.5814 <sup>(29)</sup>	9.31505' 88
		F	61.58	55.99 <del>56.89</del>	+5.59 <del>+4.69</del>					
		B	55.67	61.26	-5.59					
LA 2						+5.59			16.1714 <sup>(29)</sup>	14.90505' 88
		F	74.14	70.34	+3.80					
		B	66.95	70.77	-3.82					
LA 3						+3.81			19.9814 <sup>(29)</sup>	18.71505' 88
		F	47.23	51.54	-4.31					
		B	51.45	47.14	+4.31					
SRD DISK (LA 4)						-4.31			15.6714 <sup>(29)</sup>	14.40505' 88
		F	43.19	40.71	+2.48					
		B	40.19	<del>37.62</del> 42.68	-2.49					
LA 5						+2.485			18.1564 <sup>(29)</sup>	16.89005' 88





# SOUTH FLORIDA WATER MANAGEMENT DISTRICT

Rev. 8/07

DESIGNATION: <b>LA5 RESET</b>		PROJECT : <b>LABELLE Well Site</b>	
ESTABLISHED BY: <b>SOUTH FLORIDA WATER MANAGEMENT DISTRICT</b>		SURVEYOR : <b>Art Hollin</b>	
RECOVERED BY		DATE: <b>10-jun-09</b>	
<b>GEOGRAPHIC POSITION</b>			
SECTION <b>12</b>	TOWNSHIP <b>43 South</b>	RANGE <b>28 East</b>	
COUNTY: <b>Hendry</b>	NAME OF QUADRANGLE: <b>LA BELLE</b>		
	GEOGRAPHIC INDEX OF QUAD: <b>2312</b>		
HORIZONTAL DATUM: 1927    1983    Other _____ (circle one)    ZONE <b>(E)</b> or W			
VERTICAL DATUM: MSL    1929 <b>(1988)</b> Other _____ (circle one)			
ACCURACY: HORIZONTAL    1    2    3    _____ (circle one)    VERTICAL    1    2 <b>(3)</b>			
STATE PLANE COORDINATE	X=	Y=	NAVD 88 EL. <b>17.055</b> NGVD 29 EL. <b>18.321</b>
CORPSCON 6.0.1 CONVERSION FACTOR (NAVD88 TO NGVD29): <b>1.358'</b>			
LATITUDE: <b>26°45' 11.45"</b>		LONGITUDE: <b>81° 28' 18.47"</b>	
<b>RECOVERY DESCRIPTION</b>			
Stamping: <b>LA 5 RESET 2009 BM</b>			
To Reach:			
<p>From the intersection of State Road 80 (S.R. 80) and State Road 29 (S.R. 29) at the Hendry county Courthouse, go North on S.R. 29, 1.0 mile to the intersection of County Road 78 (C.R. 78); Go West on C.R. 78 for 3 miles to Caloosa Shores Drive on the left; Go East on Caloosa Shores Drive, 0.2 of a mile to a security gate; Continue thru the gate for 100 feet more or less to a grass covered trail and gate on the left (South) side of the road; Then go West, Southwest on the trail for 0.19 of a mile to a small fence area around South Florida Water Management District's (SFWMD's) well site "LABELLE." The Mark is 0.6 of a foot East of the well and 2.2 feet East of the gate to access the site. The Mark is a SFWMD aluminum disk stamped "LA5 RESET 2009 BM."</p>			
Notable Land marks: <b>LABELLE Well Site</b>			
NGS source benchmark: <b>D72 (AD5607)</b>			
FIELD BOOK <b>Misc 6H</b>		PAGES <b>73 &amp; 76</b>	
<b>PICTURES</b>			





# SOUTH FLORIDA WATER MANAGEMENT DISTRICT

Rev. 8/07

## SKETCH

M100. P. 877 10 H

06/10/09

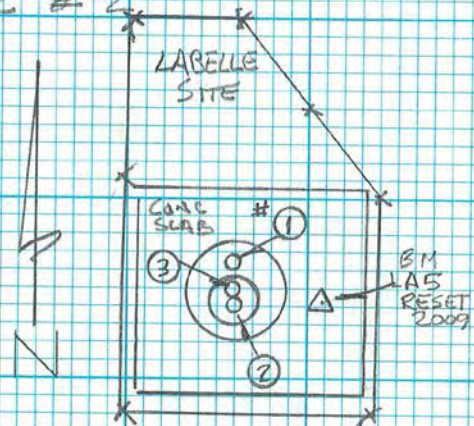
### COMMENTS

BM LA 5 RESET 2009 PG-73

WELL #1 <sup>GATE VALVE</sup> TOP OF COMPRESSION ~~NOT~~ BELOW TRANSDUCER (SENSOR) OF N. MOST WELL MARK #1

WELL #2 <sup>GATE VALVE</sup> TOP OF COMPRESSION ~~NOT~~ BELOW TRANSDUCER OF S. MOST WELL MARK #2

WELL #3



BM LA 5 RESET 2009 PG-73



# REGISTRATION WORKSHEET - LA BELE Addendum

Site Name: **LA BELE** Today's Date: **6/15/2009** Type Recorder:   
 Activity: **Addendum** Effective Date: Start Date of Data :   
 Customer: Bus. Area: **SCADA** Agency: **SFWMD** Internal Order:   
 Project Manager: **EBANKS/REICHERT** Bus. Area: **SURVEY & LAND ACQ** Agency: **SFWMD** Fund:   
 Contract #:   
 Project Name: Legal Mandate:

Short Common Name / Description:

Proj. Mgr. Notes: This Addendum was performed to add surveying data for reference elevation changes. New tags are in place reflecting the survey data for each well.

Site Directions: To Reach: FROM THE INTERSECTION OF STATE ROADS 29 & STATE ROAD 80 AT HENDRY COUNTY COURT HOUSE IN LA BELLE; GO NORTH ON STATE ROAD 29 FOR 1.0 MILE TO INTERSECTION OF COUNTY ROAD 78 WEST ON THE LEFT; THEN PROCEED WEST ON COUNTY ROAD 78 FOR 3.3 MILES TO THE ENTRANCE OF A GATED COMMUNITY ON THE LEFT AT CALOOSA SHORES DRIVE; THEN

Site Address (if any):

Transportation: Lock type or combination: #   
 Recorder Location/Purpose: Structure Type:   
 Array ID Configuration table attached

## SURVEY INFORMATION

B.M. Elevation: **18.330** Date: **6/11/2009** Stamp: **La 5 RESET**   
 Agency: **SFWMD** Type: **ALUM** Datum: **NGVD 29**

Benchmark Location/ Description: Located in the concrete pad .6 of a foot east of the well and 2.2 feet west of the access gate. Benchmark is a 2 inch aluminum disk stamped SFWMD La 5 RESET 2009

## COMMUNICATIONS INFORMATION

Communications System: Loggernet Server: Loggernet IP Address:   
 Tower: Communication Type: R.F. Code/Modem Address: R.F. Access Point:   
 Phone Number:   
 RTU Address: Gateways:

## WELL INFORMATION

Sensor	Customer Ref	Ref Elev	Elev Date	Top of Well	Bottom of Well	Ground Elev	Benchmark Elev	Benchmark Datum	Ref Elevation Location
Well 1		20.66	6/11/2009				18.33	NGVD 29	top of the east side of the valve marked with black marker
WELL 2		21.08	6/11/2009				18.33	NGVD 29	Top of the east side of the valve marked with a black marker
Well 3		21.04	6/11/2009				18.33	NGVD 29	Top of the east side of the valve marked with a black marker

Sensor	GW Land Elevation	Depth of Well	Meas Pt Above BM	Type of Well	GW Sensor location
Well 1					
Well 2					
Well 3					

## ADDITIONAL GPS INFORMATION

Item/Param	Lat	Long	X-Coord	Y-Coord	Sec	Township	Range	Quad	Basin	County	Description
Well 1	264510.24	812818.47			12	43	28			Hendry	
Well 2	264510.24	812818.47			12	43	28			Hendry	
Well 3	264510.24	812818.47			12	43	28			Hendry	



Site Name <b>LABPW2</b>		Date of Field Work <b>10-jun-09</b>
Party Chief <b>Hollin</b>	Field Book Name/Number <b>Misc6H</b>	Page Number(s) <b>71-76</b>
Site Benchmark Name <b>LA6</b>	Benchmark Elevation (NAVD88) <b>17.055'</b>	Corpscon 6.0.1 Datum Offset to NGVD29 <b>1.358'</b>
Reference Elevation (NAVD 88) <b>14.265' GW</b> <b>17.375' 90° Elbow artesian Well</b> <b>17.525' Artesian Well</b>		Existing Tag Elevation (Datum) None
Latitude <b>26° 45' 09.38"</b>		Longitude <b>81° 28' 16.1"</b>

Notes: Tagged in NGVD29

### Photographs

Overall Site



Benchmark (Close up)



GW Brass Tag Close Up



Brass Tag + Reference Mark





Brass Tag Close Up



Brass Tag + Reference Mark

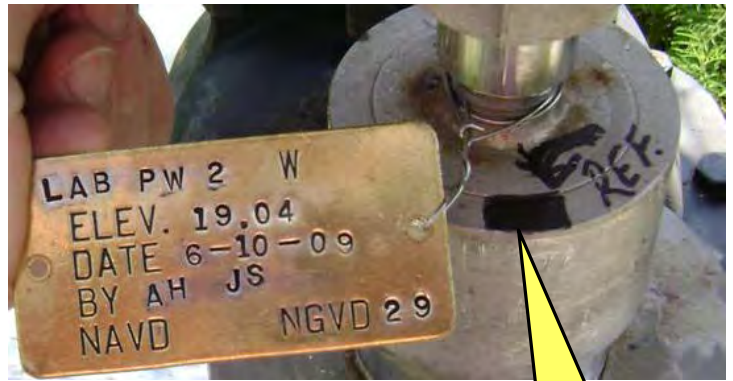


Reference Point

Brass Tag Close Up



Brass Tag + Reference Mark



Reference Point







Written at the Site  
SCADA Picture (20-apr-15)





# SOUTH FLORIDA WATER MANAGEMENT DISTRICT

Rev. 8/07

DESIGNATION: <b>LA6</b>		PROJECT : <b>LABPW2 Well Site</b>	
ESTABLISHED BY: SOUTH FLORIDA WATER MANAGEMENT DISTRICT RECOVERED BY		SURVEYOR : <b>Art Hollin</b> DATE: <b>10-jun-09</b>	
<b>GEOGRAPHIC POSITION</b>			
SECTION <b>12</b>	TOWNSHIP <b>43 South</b>	RANGE <b>28 East</b>	
COUNTY: <b>Hendry</b>	NAME OF QUADRANGLE: <b>LA BELLE</b> GEOGRAPHIC INDEX OF QUAD: <b>2312</b>		
HORIZONTAL DATUM: 1927    1983    Other    (circle one)		ZONE <b>(E)</b> or W	
VERTICAL DATUM: MSL    1929 <b>(1988)</b> Other _____ (circle one)			
ACCURACY: HORIZONTAL    1    2    3    _____ (circle one)		VERTICAL    1    2 <b>(3)</b>	
STATE PLANE COORDINATE	X=	Y=	NAVD 88 EL. <b>14.535</b> NGVD 29 EL. <b>15.801</b>
CORPSCON 6.0.1 CONVERSION FACTOR (NAVD88 TO NGVD29): <b>1.358'</b>			
LATITUDE: <b>26°45' 09.38"</b>		LONGITUDE: <b>81° 28' 16.1"</b>	
<b>RECOVERY DESCRIPTION</b>			
Stamping: <b>LA 6 2009</b>			
To Reach: From the intersection of State Road 80 (S.R. 80) and State Road 29 (S.R. 29) at the Hendry county Courthouse, go North on S.R. 29, 1.0 mile to the intersection of County Road 78 (C.R. 78); Go West on C.R. 78 for 3 miles to Caloosa Shores Drive on the left; Go East on Caloosa Shores Drive, 0.2 of a mile to a security gate; Continue thru the gate for 100 feet more or less to a grass covered trail and gate on the left (South) side of the road; Then go West, Southwest on the trail for 0.19 of a mile to a small fence area around South Florida Water Management District's (SFWMD's) well site "LABELLE;" continue West, Southwest 0.03 of a mile to SFWMD's well site LABPW2 on your left and station location. The Mark is located at the Southwest most corner of the well site inside the fenced area. The Mark is a found bronze disk stamped "LA6 2009."			
Notable Land marks: <b>LABPW2 Well Site</b>			
NGS source benchmark: <b>D72 (AD5607)</b>			
FIELD BOOK <b>Misc 6H</b>		PAGES <b>74 &amp; 75</b>	
<b>PICTURES</b>			
			





SKETCH

MISC. F.B.# 6H

06/10/09

75

COMMENTS

B.M. LA 6 2009 PG-74

B.M. LA 5 RESET 2009

B.M. LA 6 2009 PG-74

NOTE:  
REF. MARK

NOTE THE TOP OF THE  
2" S.S. CAP IS 0.24  
HIGHER THAN THE  
TOP OF THE 5" S.S.  
REDUCER WITH THE  
"X" MARK  
ELEVATION OF 2" S.S.  
PIPE IS 19.04'

1

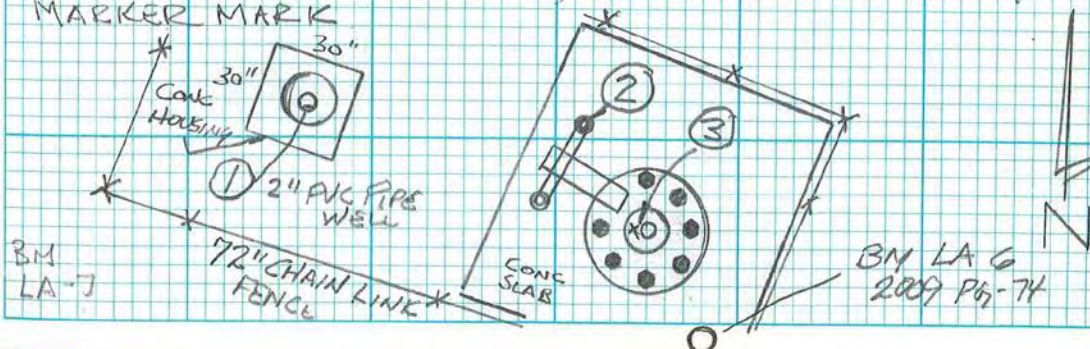
TOP & S. SIDE OF 2" P.V.C. PIPE WELL ON WESTERLY  
END OF FENCED AREA OF WELL SITE LAB PW2. WELL IS  
LOCATED IN A CONC. PROTECTIVE HOUSING <sup>30" X 30"</sup> A BLACK  
MAGIC MARKER MARK SHOWS LOCATION OF ELEVATION

2

TOP OF & S. SIDE OF 90° ELBOW UNDER TRANSDUCER  
A FOUND BLACK MAGIC MARKER MARK SHOWS THE  
LOCATION OF THE ELEVATION

3

TOP & WESTERLY SIDE OF A 5" STAINLESS STEEL PIPE  
REDUCER TO 2" CONNECTING TO A 3/4" AND THEN THE S.S. <sup>30"</sup> INSTRUMENTS  
A "X" MARK IS SET @ THE FOUND BLACK MAGIC  
MARKER MARK





# REGISTRATION WORKSHEET - LABPW2 Addendum

Site Name: **LABPW2** Today's Date: **6/15/2009** Type Recorder: \_\_\_\_\_  
 Activity: **Addendum** Effective Date: **12/24/2008** Start Date of Data : \_\_\_\_\_  
 Customer: \_\_\_\_\_ Bus. Area: **SCADA** Agency: **SFWMD** Internal Order: \_\_\_\_\_  
 Project Manager: **Ebanks/Reichert** Bus. Area: **Survey & Land Acq.** Agency: **SFWMD** Fund: \_\_\_\_\_  
 Contract #: \_\_\_\_\_  
 Project Name: \_\_\_\_\_ Legal Mandate: \_\_\_\_\_

Short Common Name / Description: \_\_\_\_\_

Proj. Mgr. Notes: This Addendum was performed to add surveying data for reference elevation changes. Tags are in place reflecting new data.

Site Directions: To Reach: FROM THE INTERSECTION OF STATE ROADS 29 & STATE ROAD 80 AT HENDRY COUNTY COURT HOUSE IN LA BELLE; GO NORTH ON STATE ROAD 29 FOR 1.0 MILE TO INTERSECTION OF COUNTY ROAD 78 WEST ON THE LEFT; THEN PROCEED WEST ON COUNTY ROAD 78 FOR 3.3 MILES TO THE ENTRANCE OF A GATED COMMUNITY ON THE LEFT AT CALOOSA SHORES DRIVE. THEN

Site Address (if any): \_\_\_\_\_

Transportation: \_\_\_\_\_ Lock type or combination: \_\_\_\_\_ # \_\_\_\_\_

Recorder Location/Purpose: \_\_\_\_\_ Structure Type: \_\_\_\_\_

Array ID Configuration table attached \_\_\_\_\_

## SURVEY INFORMATION

B.M. Elevation: **15.810** Date: **6/11/2009** Stamp: **La 6 2009**  
 Agency: **SFWMD** Type: **ALUM** Datum: **NGVD 29**

Benchmark Location/ Description: On the concrete slab in the South most corner, a bronze 3 inch disk stamped "La 6 2009"

## COMMUNICATIONS INFORMATION

Communications System: \_\_\_\_\_ Loggernet Server: \_\_\_\_\_ Loggernet IP Address: \_\_\_\_\_  
 Tower: \_\_\_\_\_ Communication Type: \_\_\_\_\_ R.F. Code/Modem Address: \_\_\_\_\_ R.F. Access Point: \_\_\_\_\_  
 Phone Number: \_\_\_\_\_  
 RTU Address: \_\_\_\_\_ Gateways: \_\_\_\_\_

## WELL INFORMATION

Sensor	Customer Ref	Ref Elev	Elev Date	Top of Well	Bottom of Well	Ground Elev	Benchmark Elev	Benchmark Datum	Ref Elevation Location
Well 1		18.65	6/11/2009				15.81	NGVD 29	Reference mark is at the black mark on top of 90 degree elbow
Well 2		19.04	6/11/2009				15.81	NGVD 29	Black mark on top of two inch stainless steel cap/reducer
GW1		15.54	6/11/2009				15.81	NGVD 29	Black mark on top of 2 inch PVC pipe

Sensor	GW Land Elevation	Depth of Well	Meas Pt Above BM	Type of Well	GW Sensor location										
Well 1															
Well 2															
GW1															

## ADDITIONAL GPS INFORMATION

Item/Param	Lat	Long	X-Coord	Y-Coord	Sec	Township	Range	Quad	Basin	County	Description
Well 1	26459.379	812816.095			12	43	28			Hendry	
Well 2	26459.379	812816.095			12	43	28			Hendry	
GW1	26459.379	812816.095			12	43	28			Hendry	



## Monitoring Sites LABELE and LABPW2

Heavy vegetation on right of way to both sites and around the sites themselves. Mostly grass and light brush that needs cut regularly and treated inside and around the fenced enclosures to maintain clear access for maintenance.

Coordinates:

LABELE: 26 45 11.45N 81 28 18.47W

LABPW2 26 45 9.379N 81 28 16.095W

DIRECTIONS: FROM THE INTERSECTION OF SR29 AND SR80, GO N ON SR-29  
0.7M CROSSING THE CALOOSAHATCHEE RIVER, TURN W ON NORTH RIV RD  
(CR78) 3 MILES.





RTU	DATE	FAMILY	DV #	TECH	DATA COLLECTED	ROOT CAUSE	PM INTERVAL	WORK ORDER #
LABELE	9/3/2013	C	MC03	Jim Thompson			QUARTERLY	4296215
Replaced GW2 sensor(see inventory notes). Calibrated GW2 sensor to verified value(see GW FAS notes). Heavy vegetation upon arrival, per usual.								

[View Full Worksheet](#)

RTU	DATE	FAMILY	DV #	TECH	DATA COLLECTED	ROOT CAUSE	PM INTERVAL	WORK ORDER #
LABPW2	9/3/2013	C	DV13	Dave Demonstranti			QUARTERLY	4293537
PM and data verification. Site needs vegetation management. 40amp battery tested marginal. Due to heavy vegetation around the site, an additional 20 watt solar panel is needed to provide the battery a full charge. See GW notes.								

Access gate and right of way to both locations





LABPW2 Fenced Enclosures & Wells





