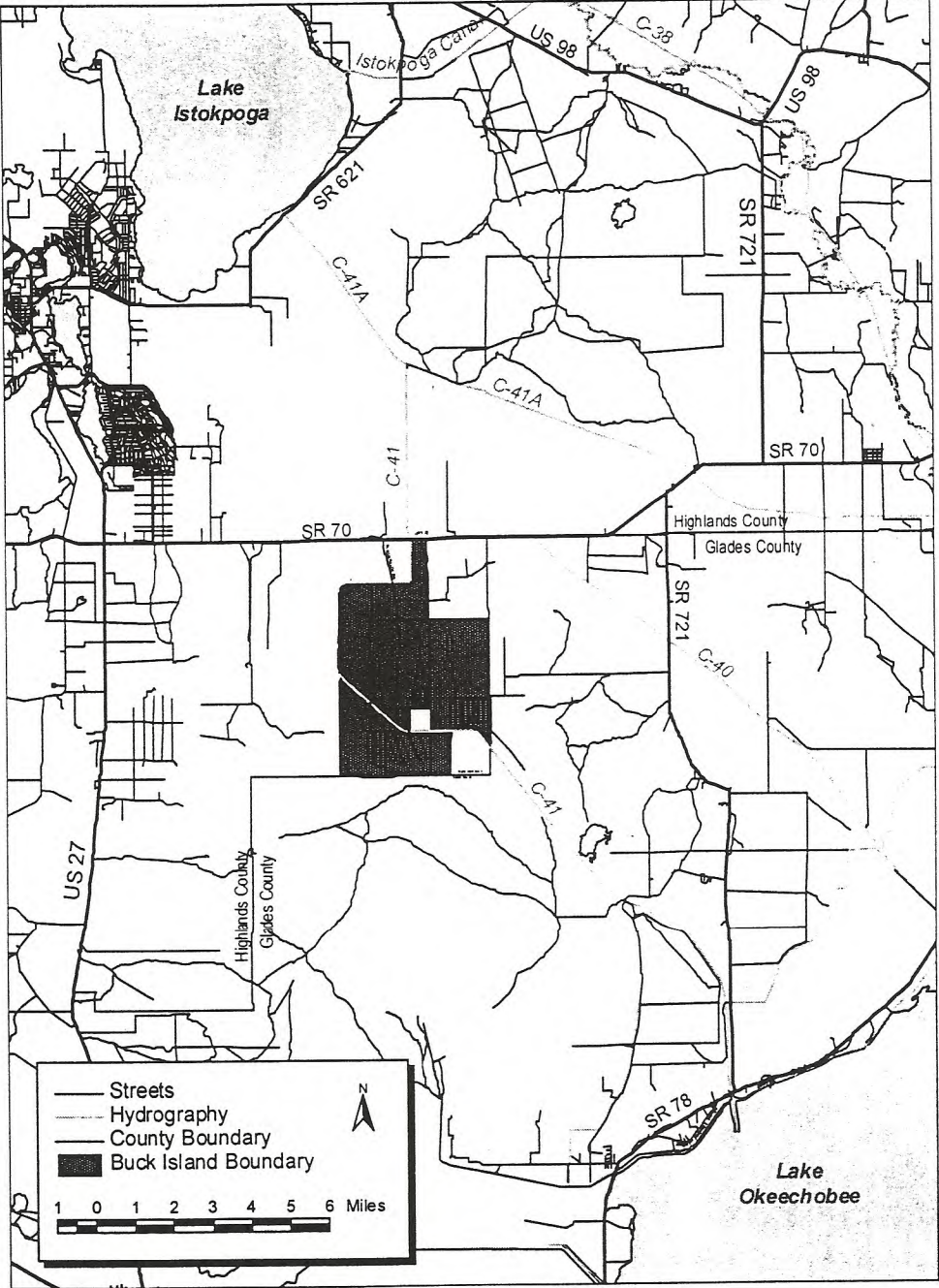
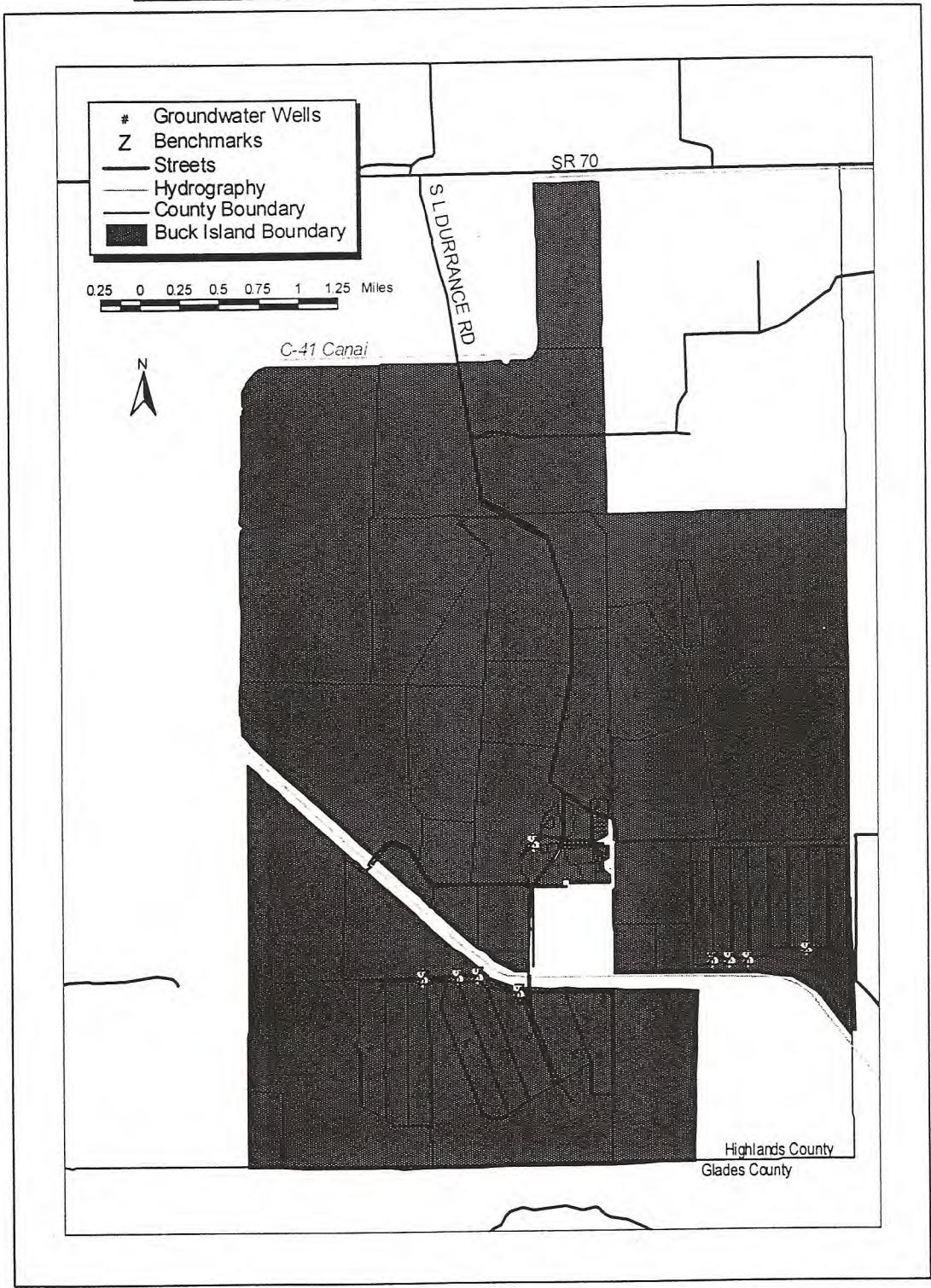


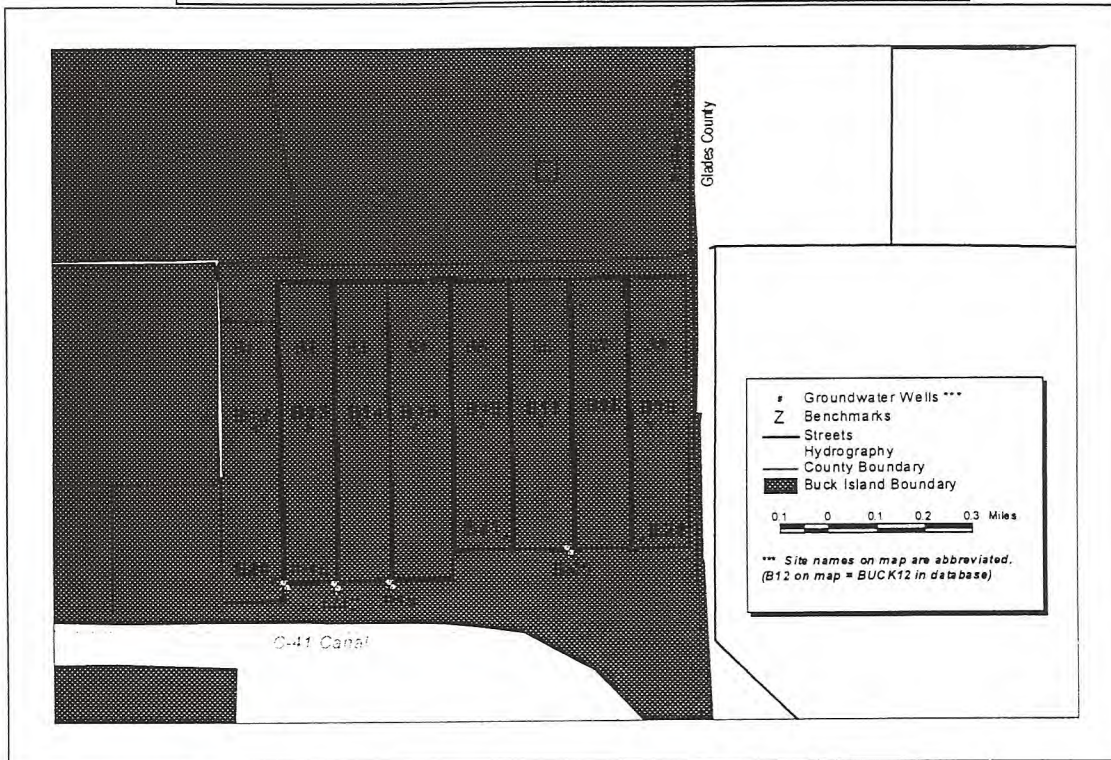
Attachment A-1  
Buck Island/MacArthur-Agro Farm Location



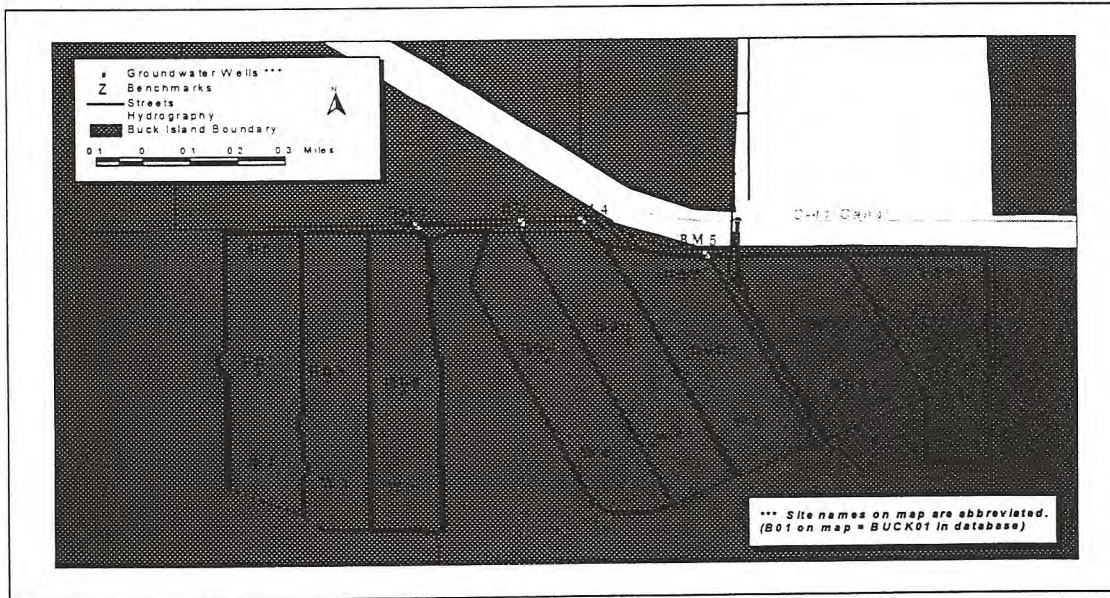
Attachment A-2  
Buck Island/MacArthur-Agro Pasture Locations



Attachment A-4  
 Buck Island/MacArthur-Agro Pasture Locations  
 Pasture Sites BUCK01 thru BUCK22



East Pasture  
 Sites BUCK12 through BUCK22



West Pasture  
 Sites BUCK01 through BUCK11

**Attachment A-5**  
**Buck Island/MacArthur-Agro Site/Bench Marks**  
**GPS and X&Y Coordinates**

**Buck Island/MacArthur-Agro Sites**  
**GPS and X &Y Coordinates**

SiteName	Pasture	Wellsize	X_sp83	Y_sp83	Lat_83	Lon_83
BUCK01	w1	4 in.	585755	1019050	27 08 13.366 N	81 12 59.393 W
BUCK02	w1	2 in.	585398	1017090	27 07 53.950 N	81 13 03.307 W
BUCK03	w2	2 in.	586145	1016930	27 07 52.378 N	81 12 55.036 W
BUCK04	w3	2 in.	586979	1016730	27 07 50.411 N	81 12 45.801 W
BUCK05	w4	2 in.	588578	1017240	27 07 55.488 N	81 12 28.111 W
BUCK06	w5	2 in.	589490	1017580	27 07 58.870 N	81 12 18.023 W
BUCK07	w6	4 in.	590331	1018600	27 08 08.985 N	81 12 08.732 W
BUCK08	w6	2 in.	590630	1017410	27 07 57.205 N	81 12 05.401 W
BUCK09	w7	2 in.	592165	1016840	27 07 51.584 N	81 11 48.401 W
BUCK10	w8	2 in.	592996	1016850	27 07 51.696 N	81 11 39.203 W
BUCK11	w8	4 in.	593129	1018640	27 08 09.425 N	81 11 37.762 W
BUCK12	s1	2 in.	596494	1021830	27 08 41.066 N	81 11 00.566 W
BUCK13	s2	2 in.	597094	1021840	27 08 41.174 N	81 10 53.924 W
BUCK14	s3	2 in.	597664	1021840	27 08 41.182 N	81 10 47.614 W
BUCK15	s4	2 in.	598268	1021850	27 08 41.290 N	81 10 40.928 W
BUCK16	s5	2 in.	598999	1021860	27 08 41.399 N	81 10 32.836 W
BUCK17	s6	2 in.	599674	1021870	27 08 41.507 N	81 10 25.364 W
BUCK18	s7	2 in.	600303	1021870	27 08 41.516 N	81 10 18.401 W
BUCK19	s8	2 in.	600842	1021860	27 08 41.424 N	81 10 12.434 W
BUCK20	s1	4 in.	596684	1020010	27 08 23.045 N	81 10 58.433 W
BUCK21	s5	4 in.	599256	1020510	27 08 28.033 N	81 10 29.970 W
BUCK22	s8	4 in.	600766	1020490	27 08 27.856 N	81 10 13.254 W

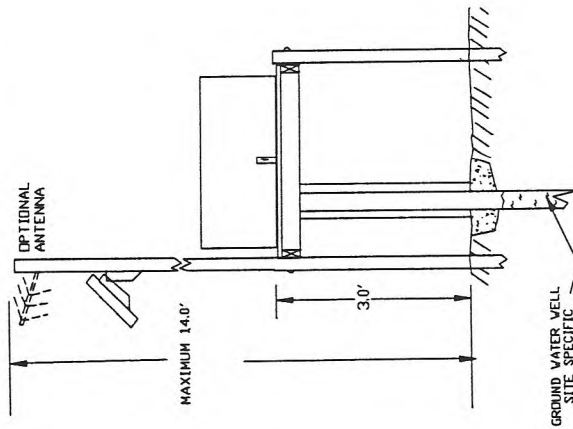
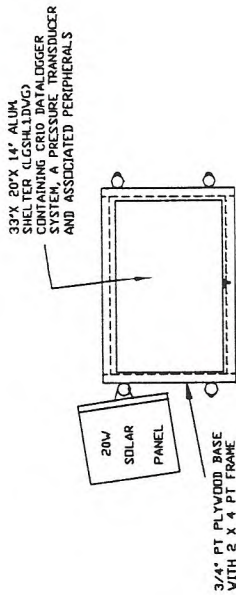
**Buck Island/MacArthur-Agro Bench Marks**  
**GPS and X &Y Coordinates**

Benchmrk	Pasture	X_sp83	Y_sp83	Lat_83	Lon_83
BM1	HQ	590853	1023830	27 09 00.788 N	81 12 03.047 W
BM2	w3	587160	1019370	27 08 16.559 N	81 12 43.847 W
BM3	w4	588320	1019420	27 08 17.073 N	81 12 31.007 W
BM4	w5	588987	1019440	27 08 17.282 N	81 12 23.624 W
BM5	w6	590362	1018900	27 08 11.957 N	81 12 08.394 W
BM6	s1	596830	1019950	27 08 22.453 N	81 10 56.816 W
BM7	s3	597394	1019940	27 08 22.362 N	81 10 50.573 W
BM8	s4	597994	1019950	27 08 22.470 N	81 10 43.931 W
BM9	s6	599972	1020340	27 08 26.359 N	81 10 22.041 W

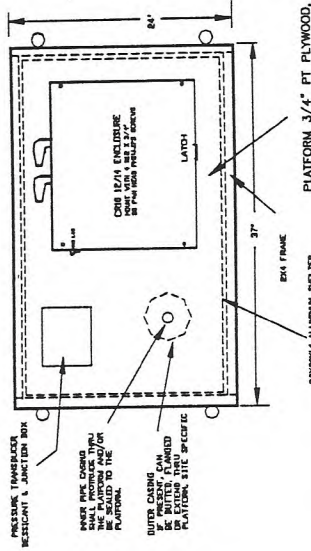
# ATTACHMENT "B"

**NOTES:**

- 1- LEGS ARE 2" DIA. RIGID, HOT DIPPED GALVANIZED PIPE, HYDRAULICALLY OR MECHANICALLY DRIVEN 3" OR MORE AND SECURED TO PLATFORM WITH A 3/8" SS BOLT IN EACH LEG.
- 2- SITE DREINATING GENERALLY MUST END SHOULD BE SOUTHERLY, BUT SHOULD POINT TOWARDS FUTURE COMMUNICATION SITE, IF KNOWN.
- 3- REFER TO SPECIFIC SENSOR CONFIGURATION AND INSTALLATION DRAWINGS FOR DETAILS OF DESICCANT & JUNCTION BOX.
- 4- EXISTING LARGE BOX BULLET-PROOFING CAN BE USED TO HARDEN SITE FOR GUNFIRE.
- 5- OPTIONAL, 1/2" STARBOARD AND EITHER ALUMINUM OR HOT-DIPPED GALVANIZED 2" x 1/4" ANGLE CAN BE SUBSTITUTED FOR THE 3/4" PLYWOOD & 2X4 FRAME.



PLATFORM LAYOUT  
NTS



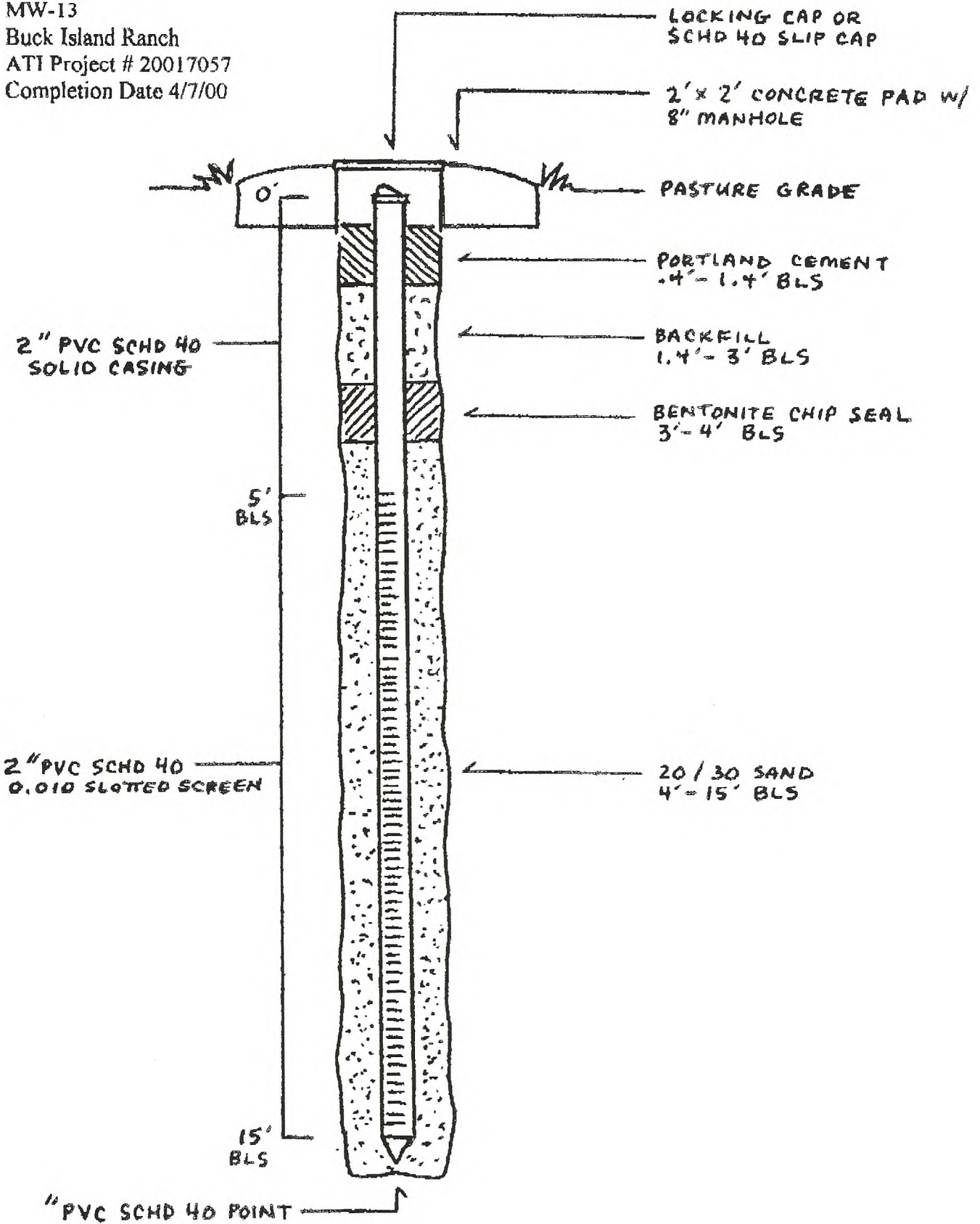
ENGINEER	V. HERRMANN
DRAWN	V. HERRMANN
CHKD	05/08/00
DATE	NONE
SCALE	GV/SUPPLT.DWG
FILENAME	NTS
PLOT SCALE	

SOUTH FLORIDA WATER  
MANAGEMENT DISTRICT  
GROUNDWATER  
LEG SUPPORTED PLATFORM

REV	DATE	REVISION DESCRIPTION	BY	CHK	COR	APP	ORG

## Buck Island Ground Water Monitoring Station

MW-13  
Buck Island Ranch  
ATI Project # 20017057  
Completion Date 4/7/00





SITE WORKSHEET

Equipment Removed (if applicable): N/A

Benchmark Elevation: 27.12' Date: 9-7-00

Disc Number: N/A

Location/Description: 1" Gal Pipe 12" South of 2" Well @ Land Surface

Headwater Reference Elevation: \_\_\_\_\_ Date: \_\_\_\_\_  
Location: \_\_\_\_\_

Tailwater Reference Elevation: \_\_\_\_\_ Date: \_\_\_\_\_  
Location: \_\_\_\_\_

Measurable Max/Min Stage: Top of Well 30.22 Bottom of Well 13.00 (HW STG. GW) (GW)  
Top of Well \_\_\_\_\_ Bottom of Well \_\_\_\_\_ (IW)

Well Platform:  Plywood  Aluminum  Other: \_\_\_\_\_

Power Source (check one):  A/C  Solar  
If solar, complete the following:  
# of Panels 1 Watts 20

Communication Type:  
 R/F (Radio Frequency) Not Completed Yet! R/F Code \_\_\_\_\_  
 Cellular Telephone Phone # \_\_\_\_\_  
 Land-Line Telephone

ARDAMS Loop:  ENR  Okeechobee  East  Caloosatanatchee  
 AEAA  Kissimmee  WXST  Other: \_\_\_\_\_

R/F Access Point:  Yes  No

GIS Staff (initial/date when completed): \_\_\_\_\_  Added  Modified

Site Coverage(s):  Stage  Well  Weather/Evap  
 Rain  Flow  Other: \_\_\_\_\_

Database Manager and Westport Staff (initial/date when registration completed):

\_\_\_\_\_ MIRMAID (site name) \_\_\_\_\_ DCVP  
\_\_\_\_\_ DBHYDRO \_\_\_\_\_ MIRMAID (equipment)



Site Name: **BUCK13**

Date: 10/12/00

ARRAY ID	COLUMN	PARAMETER	SENSOR TYPE	ASCII CODED 4-8 CHARACTER I.D.	INTERVAL	SENSOR RANGE	Expected Range at Site
001	5-12	SITE ID			12 HRS		
002	5	CR10 BATTERY	Internal		3 HRS	0 to 25 VOLTS	12.20 - 14.70
015	5	GW1	SDI Pressure Transducer #1, or Druck		15 MIN.	0 to 34.60 FEET	13.00 - 30.22 ft
016	5	GW1 TEMP	SDI Pressure Transducer #1		15 MIN.	0 to 40 Degrees C	0 to 40 Degrees C
200	5	Version #	Internal Settings	Hard Code = 5.10	5 Min Change and 30 Day Time Stamp		
	6-13	SITE ID		Default = 32		0=OFF, 1=ON	
	14	HW Trigger		Default = 1		0=OFF, 1=ON	
	15	TW Trigger		Default = 1		0 = OFF, 1 = ON Respectively	
	16	GW Trigger		Default = 6		0=Off, or Unknown; 1=Druck; 2=Sdt Waterlog; 3 and up Reserved	
	17	GW probe Type(1,2,3)		Default = 0 (000 = Unknown, Unknown, Unknown)		0=No change, 1=change	
	18	GW probe Type(4,5,6)		Default = 0		0 = OFF, 1 = ON	
	19	Wq Change Trigger		Default = 1		0=OFF, 1=ON	
	20-23	Wq Triggers		Default = 1		0=OFF, 1=ON	
	24	AP Trigger		Default = 1		0=None, 1=1, 2=2, 3=3 Batteries	
	25	RAIN Trigger		Default = 1		0 = Use Waterlog, 1 = Use Druck	
	26	Aux. Battery Trigger		Default = 3		N FEET	
	27 - 32	GW/Druck Triggers		Default = 0		N FEET	
	33 - 40	REF Elevations		HW, TW, GW1, GW2, GW3, GW4, GW5, GW6			
	41 - 48	Offsets		HW, TW, GW1, GW2, GW3, GW4, GW5, GW6			
	49 - 53	Druck Multipliers		Default = 0		Sensor Specific	

**11/18/97 Changes**

- Additions:**  
 Any Value that does not need to be high resolution will not be.  
 Capability to measure up to 3 Aux. Batteries.  
 Gw Type and Wq Change locations added per request.
- Subtractions:**  
 Wq parameters was reduced from 10 to 9.  
 You may only Measure 4 Drucks if you are going to measure more than one battery, and you can only measure 5 Drucks if you are going to measure one battery or Barometric pressure, or both.

**Warning!**

This Program no longer fits inside of a 4k CR10. It can ONLY be installed in a CR10X.

**SFWMD - (Recorder Modernization)**  
**BUCK ISLAND PROJECT**  
**Site Installation Summary & Equipment Inventory**

**STATION: Buck 13** (Stand-Alone - Groundwater Monitoring Station)

1. Location: MacArthur Agro-Ecology Research Center (MAERC)
2. Local ID: Which Pasture: Summer Cell #: 2 Well #: B13
3. Coordinates: LAT: 27°08'41.174" LONG: 81°10'53.924"
4. MAERC B.M. - I.D.: Well 2 Description: 1" Gal. Pipe Elevation 27.12'
5. Shelter Size 33"x20"x14" Height Above L.S.: 3.02' Elevation: 30.07'
6. Groundwater Well RP Description: 2" Well (T.O.C.) Marked Elevation 30.22'
7. Pressure Transducer Type: Rittmeyer PSI Range: 15 Depth Set: 17.75'
8. Data Logger (CR-10X) Serial # X22147 District Asset # N/A
9. Modem Serial # Not Installed Yet District Asset # N/A
10. RF Directional Bearing: 177 Degrees RF Address: N/A
11. Radio Serial # Not Installed Yet District Asset # N/A
12. Groundwater P.T. S/N # 979711 District Asset # N/A
13. Survey Date: 9-07-00 Activation Date: 9-07-00
14. District Inspection Date: 9-27-00 By: Danny Yeck

Remarks: Site access can be difficult - heavy undergrowth / rough terrain / 4x4 vehicle recommended.

---

---

---

---

**\*Survey Notes\***

- Hydrogage, Inc., surveyed from MAERC provided Bench Marks (1" Galv. Pipe - driven to L.S. approx. 12-18" South of Shelter) to Well R.P. - Top of Casings - Marked.

BM - Bench Mark  
LS - Land Surface  
N/A - Not Applicable  
PT - Pressure Transducer  
RF - Radio Frequency  
RP - Reference Point  
TOC - Top of Casing

Data Input By: WHH  
Draft Check By: MSP  
Final Review By: SGR