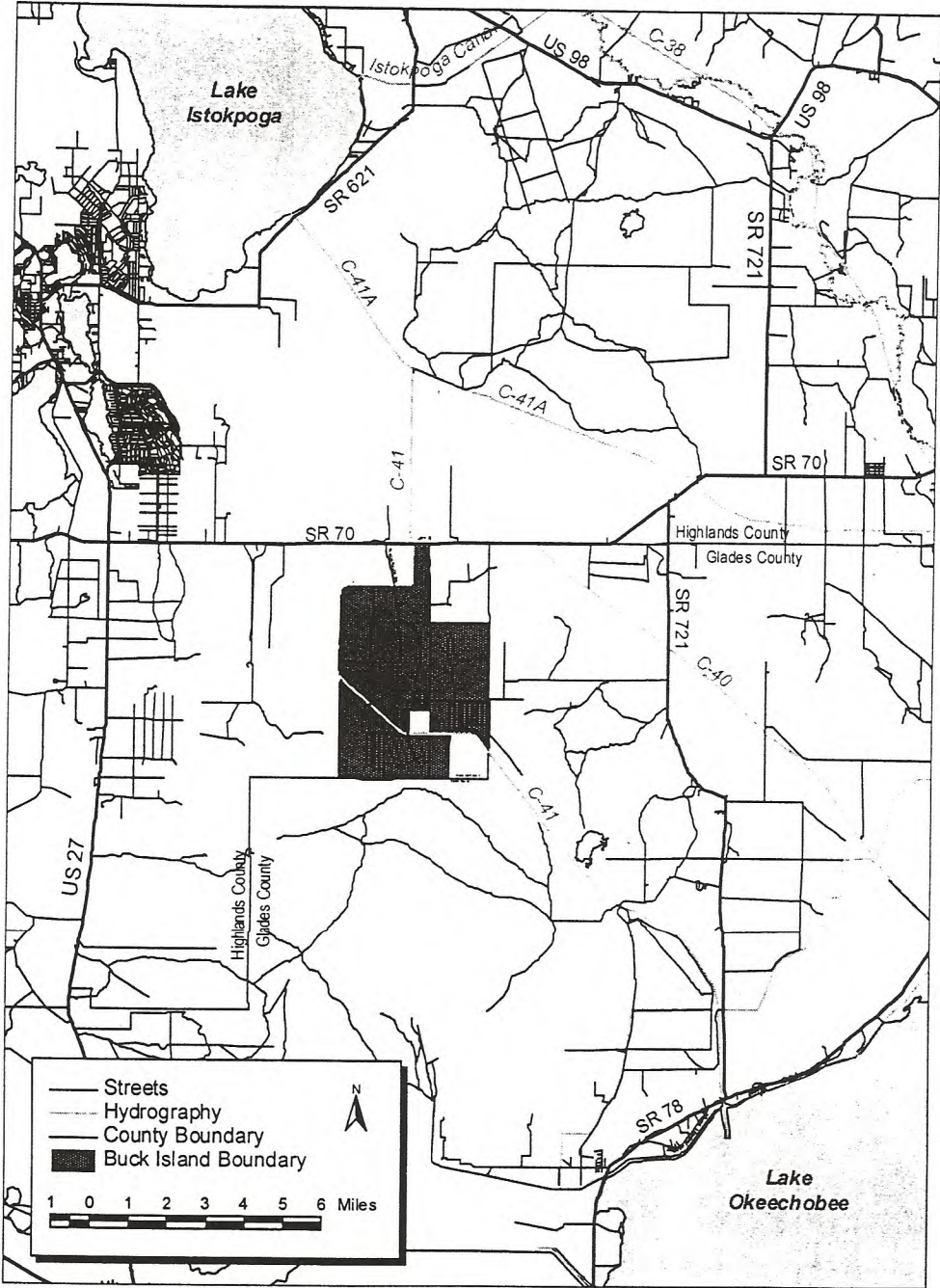
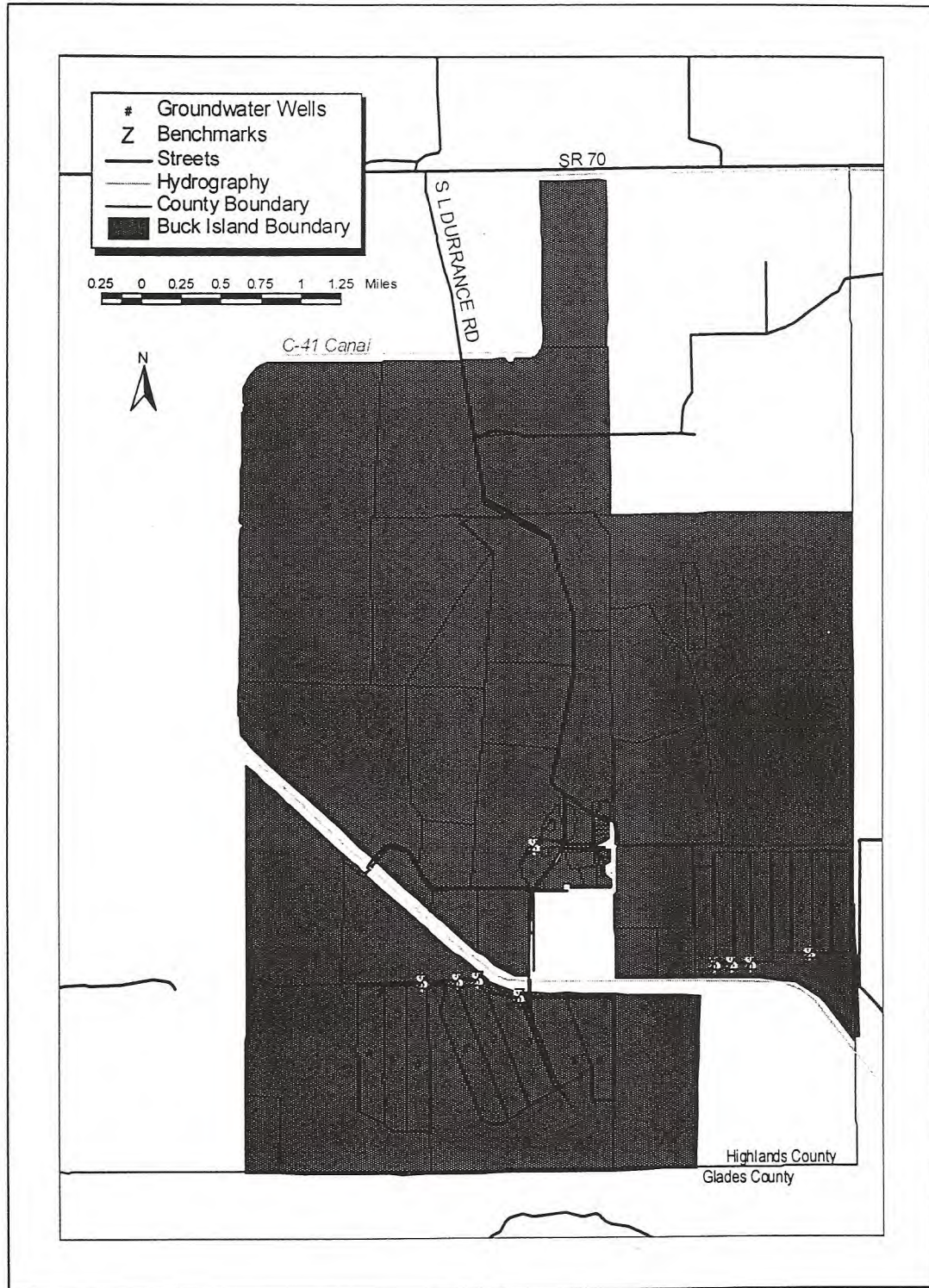


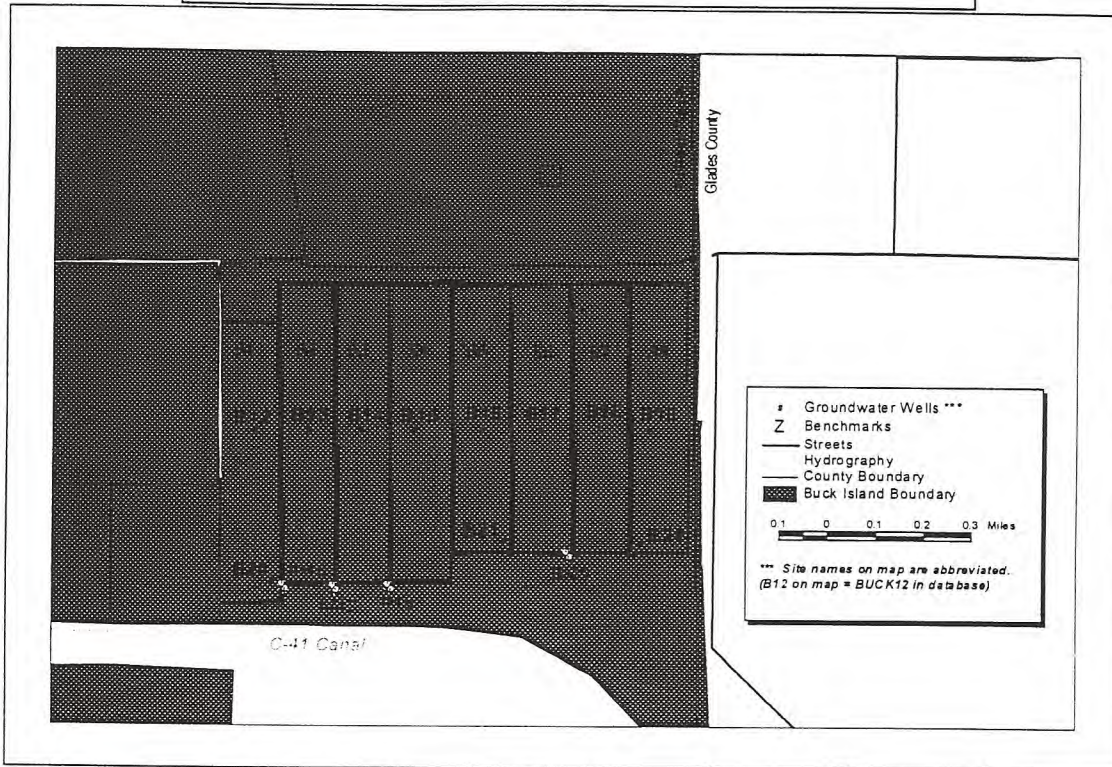
Attachment A-1
Buck Island/MacArthur-Agro Farm Location



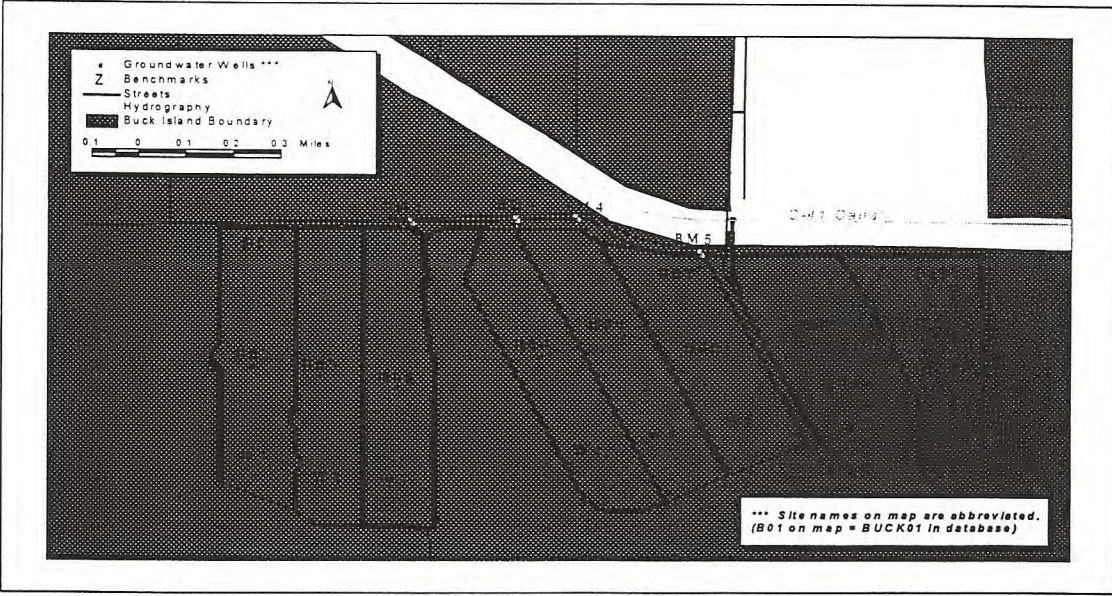
Attachment A-2
Buck Island/MacArthur-Agro Pasture Locations



Attachment A-4
 Buck Island/MacArthur-Agro Pasture Locations
 Pasture Sites BUCK01 thru BUCK22



East Pasture
 Sites BUCK12 through BUCK22



West Pasture
 Sites BUCK01 through BUCK11

Attachment A-5
Buck Island/MacArthur-Agro Site/Bench Marks
 GPS and X&Y Coordinates

Buck Island/MacArthur-Agro Sites
 GPS and X & Y Coordinates

| SiteName | Pasture | Wellsize | X_sp83 | Y_sp83 | Lat_83 | Lon_83 |
|----------|---------|----------|--------|---------|----------------|----------------|
| BUCK01 | w1 | 4 in. | 585755 | 1019050 | 27 08 13.366 N | 81 12 59.393 W |
| BUCK02 | w1 | 2 in. | 585398 | 1017090 | 27 07 53.950 N | 81 13 03.307 W |
| BUCK03 | w2 | 2 in. | 586145 | 1016930 | 27 07 52.378 N | 81 12 55.036 W |
| BUCK04 | w3 | 2 in. | 586979 | 1016730 | 27 07 50.411 N | 81 12 45.801 W |
| BUCK05 | w4 | 2 in. | 588578 | 1017240 | 27 07 55.488 N | 81 12 28.111 W |
| BUCK06 | w5 | 2 in. | 589490 | 1017580 | 27 07 58.870 N | 81 12 18.023 W |
| BUCK07 | w6 | 4 in. | 590331 | 1018600 | 27 08 08.985 N | 81 12 08.732 W |
| BUCK08 | w6 | 2 in. | 590630 | 1017410 | 27 07 57.205 N | 81 12 05.401 W |
| BUCK09 | w7 | 2 in. | 592165 | 1016840 | 27 07 51.584 N | 81 11 48.401 W |
| BUCK10 | w8 | 2 in. | 592996 | 1016850 | 27 07 51.696 N | 81 11 39.203 W |
| BUCK11 | w8 | 4 in. | 593129 | 1018640 | 27 08 09.425 N | 81 11 37.762 W |
| BUCK12 | s1 | 2 in. | 596494 | 1021830 | 27 08 41.066 N | 81 11 00.566 W |
| BUCK13 | s2 | 2 in. | 597094 | 1021840 | 27 08 41.174 N | 81 10 53.924 W |
| BUCK14 | s3 | 2 in. | 597664 | 1021840 | 27 08 41.182 N | 81 10 47.614 W |
| BUCK15 | s4 | 2 in. | 598268 | 1021850 | 27 08 41.290 N | 81 10 40.928 W |
| BUCK16 | s5 | 2 in. | 598999 | 1021860 | 27 08 41.399 N | 81 10 32.836 W |
| BUCK17 | s6 | 2 in. | 599674 | 1021870 | 27 08 41.507 N | 81 10 25.364 W |
| BUCK18 | s7 | 2 in. | 600303 | 1021870 | 27 08 41.516 N | 81 10 18.401 W |
| BUCK19 | s8 | 2 in. | 600842 | 1021860 | 27 08 41.424 N | 81 10 12.434 W |
| BUCK20 | s1 | 4 in. | 596684 | 1020010 | 27 08 23.045 N | 81 10 58.433 W |
| BUCK21 | s5 | 4 in. | 599256 | 1020510 | 27 08 28.033 N | 81 10 29.970 W |
| BUCK22 | s8 | 4 in. | 600766 | 1020490 | 27 08 27.856 N | 81 10 13.254 W |

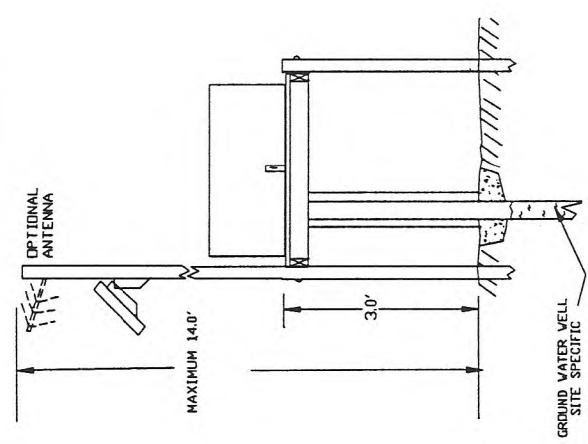
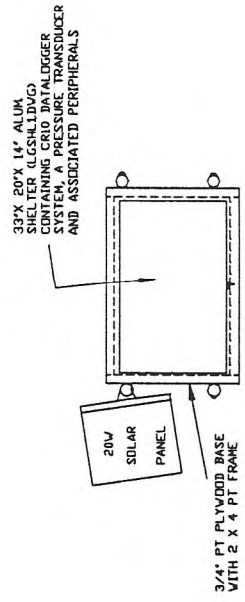
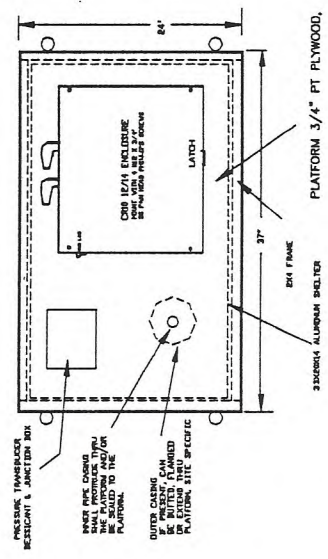
Buck Island/MacArthur-Agro Bench Marks
 GPS and X & Y Coordinates

| Benchmrk | Pasture | X_sp83 | Y_sp83 | Lat_83 | Lon_83 |
|----------|---------|--------|---------|----------------|----------------|
| BM1 | HQ | 590853 | 1023830 | 27 09 00.788 N | 81 12 03.047 W |
| BM2 | w3 | 587160 | 1019370 | 27 08 16.559 N | 81 12 43.847 W |
| BM3 | w4 | 588320 | 1019420 | 27 08 17.073 N | 81 12 31.007 W |
| BM4 | w5 | 588987 | 1019440 | 27 08 17.282 N | 81 12 23.624 W |
| BM5 | w6 | 590362 | 1018900 | 27 08 11.957 N | 81 12 08.394 W |
| BM6 | s1 | 596830 | 1019950 | 27 08 22.453 N | 81 10 56.816 W |
| BM7 | s3 | 597394 | 1019940 | 27 08 22.362 N | 81 10 50.573 W |
| BM8 | s4 | 597994 | 1019950 | 27 08 22.470 N | 81 10 43.931 W |
| BM9 | s6 | 599972 | 1020340 | 27 08 26.359 N | 81 10 22.041 W |

ATTACHMENT "B"

- NOTES:**
- 1.- LEGS ARE 2" DIA. RIGID, HOT DIPPED GALVANIZED PIPE, HYDRAULICALLY OR MECHANICALLY DRIVEN 3' OR MORE AND SECURED TO PLATFORM WITH A 3/8" SS BOLT IN EACH LEG.
 - 2.- SITE DRAINAGE: GENERALLY MUST END SHOULD BE SOUTHERLY, BUT SHOULD POINT TOWARDS FUTURE COMMUNICATION SITE, IF KNOWN.
 - 3.- REFER TO SPECIFIC SENSOR CONFIGURATION AND INSTALLATION DRAWINGS FOR DETAILS OF DESICCANT & JUNCTION BOX.
 - 4.- EXISTING LARGE BOX BULLET-PROOFING CAN BE USED TO HARDEN SITE FOR GUNFIRE.
 - 5.- OPTIONAL, 1/2" STARBOARD AND EITHER ALUMINUM OR HOT-DIPPED GALVANIZED 2" x 1/4" ANGLE CAN BE SUBSTITUTED FOR THE 3/4" PLYWOOD & 2X4 FRAME.

PLATFORM LAYOUT
NTS



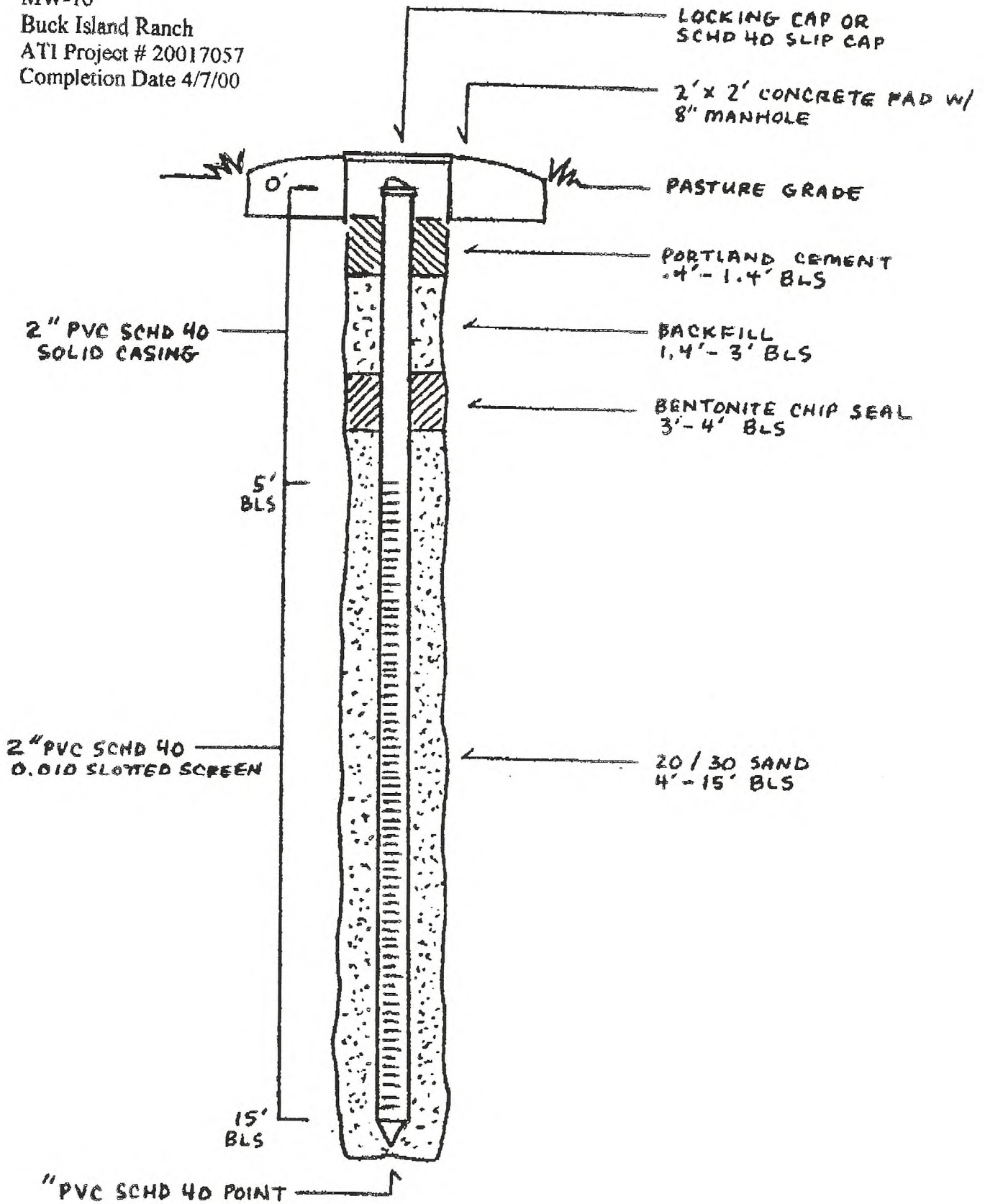
| | |
|--|-----|
| SOUTH FLORIDA WATER MANAGEMENT DISTRICT | |
| GROUNDWATER LEG SUPPORTED PLATFORM | |
| ENGINEER V. HERRMANN | NTS |
| DRAWN V. HERRMANN | |
| CHKD 05/08/00 | |
| DATE NONE | |
| FILENAME GV-SUPPRT1.dwg | |
| PLOT SCALE | |



| REV | DATE | REVISION DESCRIPTION | BY | CHK | COR | APP | ORIG |
|-----|------|----------------------|----|-----|-----|-----|------|
| | | | | | | | |

Buck Island Ground Water Monitoring Station

MW-16
Buck Island Ranch
ATI Project # 20017057
Completion Date 4/7/00



SITE WORKSHEET

Equipment Removed (if applicable): N/A

Benchmark Elevation: 27.32 Date: _____
Disc Number: N/A
Location/Description: 1" Galv. Pipe @ Land Surface 18" South of 2" Well

Headwater Reference Elevation: _____ Date: _____
Location: _____

Tailwater Reference Elevation: _____ Date: _____
Location: _____

Measurable Max/Min Stage: Top of Well 30.17 Bottom of Well 11.81 (HW.STG. **GW**)
Top of Well _____ Bottom of Well _____ (TW)

Well Platform: Plywood Aluminum Other: _____

Power Source (check one): A/C Solar
If solar, complete the following:
of Panels _____ Watts _____

Communication Type:
 R/F (Radio Frequency) *Not Completed Yet*
 Cellular Telephone
 Land-Line Telephone
R/F Code _____
Phone # _____

ARDAMS Loop: ENR Okeechobee East Caloosahatchee
 AEAA Kissimmee WXST Other: _____

R/F Access Point: Yes No

GIS Staff (initial/date when completed): _____ Added Modified

Site Coverage(s): Stage Well Weather/Evap
 Rain Flow Other: _____

Database Manager and Westport Staff (initial/date when registration completed):

_____ MIRMAID (site name) _____ DCVP
_____ DBHYDRO _____ MIRMAID (equipment)

Site Name: **BUCK16**

Date: 10/12/00

| ARRAY ID | COLUMN | PARAMETER | SENSOR TYPE | INTERVAL | SENSOR RANGE | Expected Range at Site |
|----------|---------|----------------------|---|------------------------------------|---|------------------------|
| 001 | 5 - 12 | SITE ID | ASCII CODED 4-8 CHARACTER I.D. | 12 HRS | | |
| 002 | 5 | CR10 BATTERY | Internal | 3 HRS | 0 to 25 VOLTS | 12.20 - 14.70 |
| 015 | 5 | GW1 | SDI Pressure Transducer #1, or Druck | 15 MIN. | 0 to 34.60 FEET | 12.42 - 30.17 ft |
| 016 | 5 | GW1 TEMP. | SDI Pressure Transducer #1 | 15 MIN. | 0 to 40 Degrees C | 0 to 40 Degrees C |
| 200 | 5 | Version # | Internal Settings Hard Code = 5.10 | 5 Min Change and 30 Day Time Stamp | | |
| | 6-13 | SITE ID | Default = 32 | | | |
| | 14 | HW Trigger | Default = 1 | | 0=OFF, 1=ON | |
| | 15 | TW Trigger | Default = 1 | | 0=OFF, 1=ON | |
| | 16 | GW Trigger | Default = 6 | | 0 = OFF, 1 - 6 = ON Respectively | |
| | 17 | GW probe Type(1,2,3) | Default = 0 (000 = Unknown, Unknown, Unknown) | | 0=Off, or Unknown, 1=Druck, 2=Sdt Waterlog, 3 and up Reserved | |
| | 18 | GW probe Type(4,5,6) | Default = 0 (000 = Unknown, Unknown, Unknown) | | 0=No change, 1=change | |
| | 19 | Wq Change Trigger | Default = 0 | | 0 = OFF, 1 = ON | |
| | 20-23 | Wq Triggers | Default = 1 | | 0 = OFF, 1 = ON | |
| | 24 | AP Trigger | Default = 1 | | 0 = OFF, 1 = CS105, 2 = PTA-427 | |
| | 25 | RAIN Trigger | Default = 1 | | 0=OFF, 1=ON | |
| | 26 | Aux: Battery Trigger | Default = 3 | | 0=None, 1=1, 2=2, 3-3 Batteries | |
| | 27 - 32 | GW/Druck Triggers | Default = 0 | | 0 = Use Waterlog, 1 = Use Druck | |
| | 33 - 40 | REF Elevations | HW, TW, GW1, GW2, GW3, GW4, GW5, GW6 | | IN FEET | |
| | 41 - 48 | Offsets | HW, TW, GW1, GW2, GW3, GW4, GW5, GW6 | | IN FEET | |
| | 49 - 53 | Druck Multipliers | Default = 0 | | Sensor Specific | |

11/18/97 Changes

Additions:

Any Value that does not need to be high resolution will not be.
 Capability to measure up to 3 Aux. Batteries.
 Gw Type and Wq Change locations added per request.

Subtractions:

Wq parameters was reduced from 10 to 9.
 You may only Measure 4 Drucks if you are going to measure more than one battery, and you can only measure 5 Drucks if you are going to measure one battery or Barometric pressure, or both.

Warning!

This Program no longer fits inside of a 4k CR10. It can ONLY be installed in a CR10X.

SFWMD - (Recorder Modernization)
BUCK ISLAND PROJECT
Site Installation Summary & Equipment Inventory

STATION: Buck 16 (Stand-Alone - Groundwater Monitoring Station)

1. Location: MacArthur Agro-Ecology Research Center (MAERC)
2. Local ID: Which Pasture: Summer Cell #: 5 Well #: B16
3. Coordinates: LAT: 27°08'41.399" LONG: 81°10'32.836"
4. MAERC B.M. - I.D.: Well 5 Description: 1" Gal. Pipe Elevation 27.32'
5. Shelter Size 33"x20"x14" Height Above L.S.: 3.00' Elevation: 30.07'
6. Groundwater Well RP Description: 2" Well (T.O.C.) Marked Elevation 30.17'
7. Pressure Transducer Type: Rittmeyer PSI Range: 15 Depth Set: 17.75'
8. Data Logger (CR-10X) Serial # X21942 District Asset # N/A
9. Modem Serial # Not Installed Yet District Asset # N/A
10. RF Directional Bearing: 178 Degrees RF Address: N/A
11. Radio Serial # Not Installed Yet District Asset # N/A
12. Groundwater P.T. S/N # 979715 District Asset # N/A
13. Survey Date: 9-08-00 Activation Date: 9-08-00
14. District Inspection Date: 9-27-00 By: Danny Yeck

Remarks: Site access can be difficult - heavy undergrowth / rough terrain / 4x4 vehicle recommended.

Survey Notes

- Hydrogage, Inc., surveyed from MAERC provided Bench Marks (1" Galv. Pipe - driven to L.S. approx. 12-18" South of Shelter) to Well R.P. - Top of Casings - Marked.

- BM - Bench Mark
- LS - Land Surface
- N/A - Not Applicable
- PT - Pressure Transducer
- RF - Radio Frequency
- RP - Reference Point
- TOC - Top of Casing

Data Input By: WHH
 Draft Check By: MSP
 Final Review By: SGR