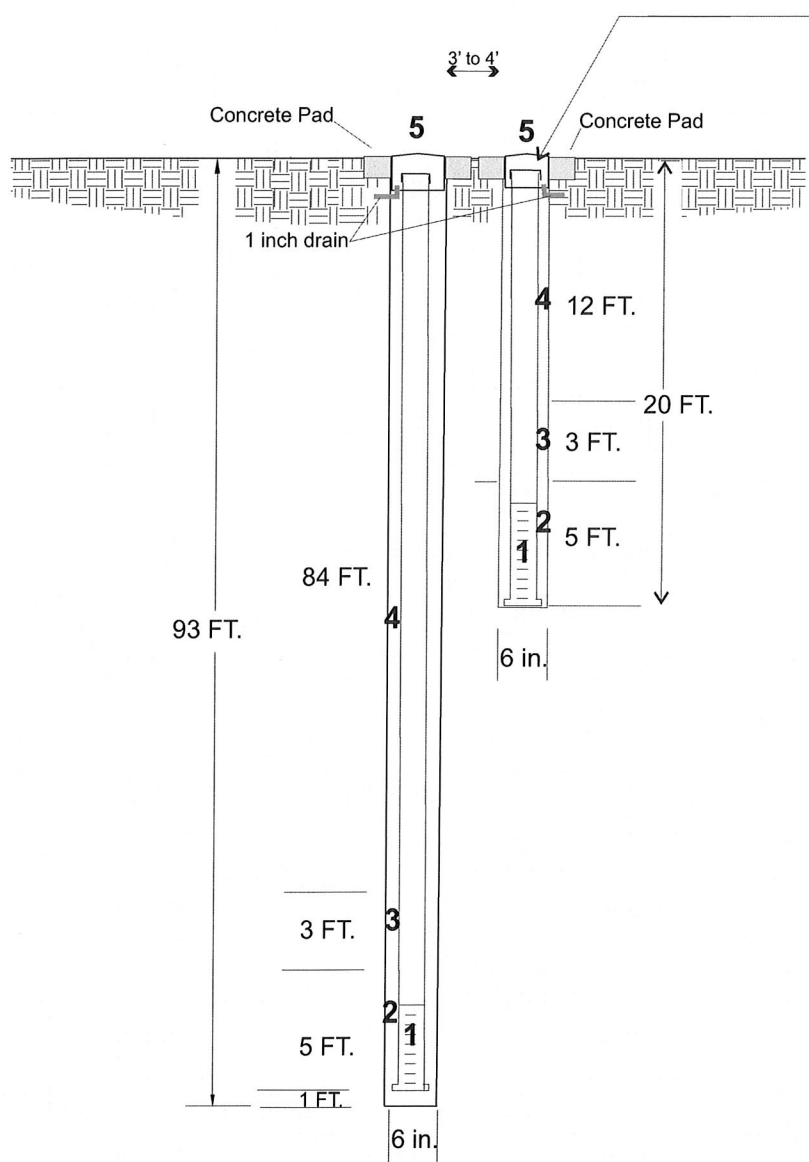


Well Completion Construction Detail HES 25D and HES 25S



Well Casing in 12 " diameter
Steel Manhole with bolt down cover.

5 = WELL CASING TYPE AND SIZE
2" dia Schedule 40 PVC

4 =BACKFILL
Neat Cement Grout

3 = SEAL TYPE
Bentonite

2 = FILTER TYPE
20 - 30 Quartz fine sand

1 = WELL SCREEN TYPE
2 feet of 2" dia Schedule 40 PVC w/ 0.02 slot

NOT TO SCALE



MONITOR WELL CONSTRUCTION DIAGRAM