

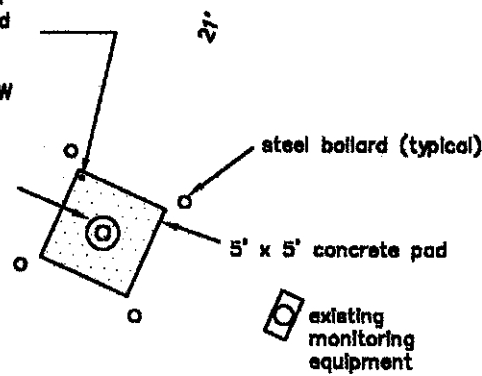


SOUTHPORT ROAD

barb wire fence

brass disk set flush in corner of concrete pad  
elevation = 71.16  
latitude = 28°09'18"N  
longitude = 081°25'28"W

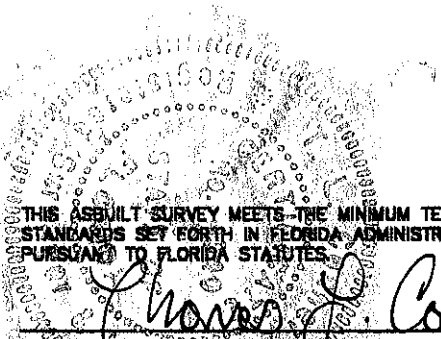
top of 12" pvc = 73.80  
top of 6" pvc = 73.84



OSCEOLA COUNTY  
ENVIRONMENTAL STUDY CENTER

NOTES

1. ASBUILT SURVEY OF MONITORING WELL SITE ONLY. NOT A BOUNDARY OR TOPOGRAPHY SURVEY.
2. WELL SITE CONSISTED OF 6" PVC ENCASED IN 12" PVC PIPE WITH NEW CONCRETE APRON AND BOLLARDS.
3. WELL SITE IS FOUND AT THE OSCEOLA COUNTY ENVIRONMENTAL STUDY CENTER, 2600 SOUTHPORT ROAD, EAST OF THE ENTRANCE, VISIBLE FROM THE ROAD.
4. ELEVATIONS ARE BASED ON OSCEOLA COUNTY, FLORIDA, DATUM, A 4" SQUARE CONCRETE MONUMENT INSIDE THE OSCEOLA COUNTY SOLID WASTE DEPARTMENT SOUTHPORT ROAD FACILITY, AS SHOWN ON SITE SURVEY PROVIDED BY FACILITY ADMINISTRATION. ELEVATION = 73.11.
5. ELEVATIONS WERE DETERMINED USING A TOPCON AT-G3 AUTO LEVEL. LATITUDE AND LONGITUDE POSITIONS WERE DETERMINED WITH A MAGELLAN MERIDIAN PLATINUM RECEIVER WITH A MANUFACTURER STATED ACCURACY OF THREE METERS.



THIS ASBUILT SURVEY MEETS THE MINIMUM TECHNICAL STANDARDS SET FORTH IN FLORIDA ADMINISTRATIVE CODE RULE 61G17-6 PURSUANT TO FLORIDA STATUTES.

*Thomas L. Conner* 3/25/03  
THOMAS L. CONNER DATE  
FLORIDA SURVEYOR AND MAPPER NUMBER 4340

NOT VALID WITHOUT THE SIGNATURE AND ORIGINAL SEAL OF A FLORIDA LICENSED SURVEYOR AND MAPPER.

DATE: 03/24/03  
SCALE: 1" = 10'  
DWG. FILE: KIRCOF  
PROJ. #: 20133  
SHEET NO.: 1 OF 1

ASBUILT SURVEY  
SOUTH FLORIDA WATER MANAGEMENT DISTRICT  
KIRCOF SITE, OSCEOLA COUNTY, SITE ID 3F  
PREPARED FOR  
ENVIRONMENTAL DRILLING SERVICE, INC.

THOMAS L. CONNER, PSM  
SURVEY AND MAPPING CONSULTANT  
5424 SOUTH BRACKEN COURT  
WINTER PARK, FLORIDA 32782-9408  
TELEPHONE: (407) 957-1576  
FLORIDA DEPARTMENT OF BUSINESS AND PROFESSIONAL REGULATION  
BOARD OF PROFESSIONAL SURVEYORS AND MAPPERS  
LICENSE NUMBER LS0004340

# 3F Asbuilt Survey Map

HUNT RD

W SOUTHPORT RD



AsBuilt