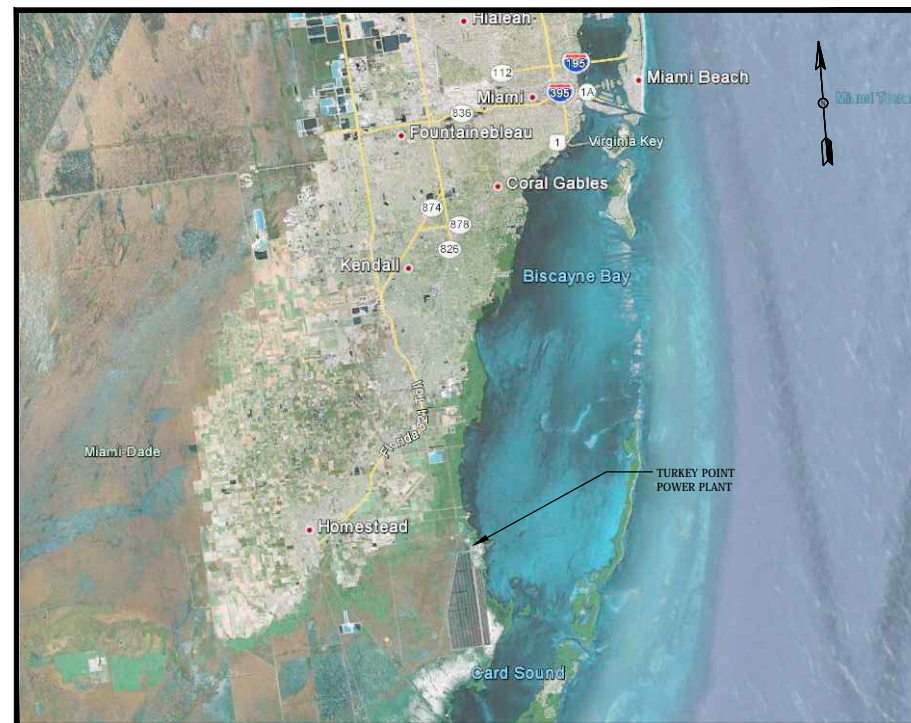
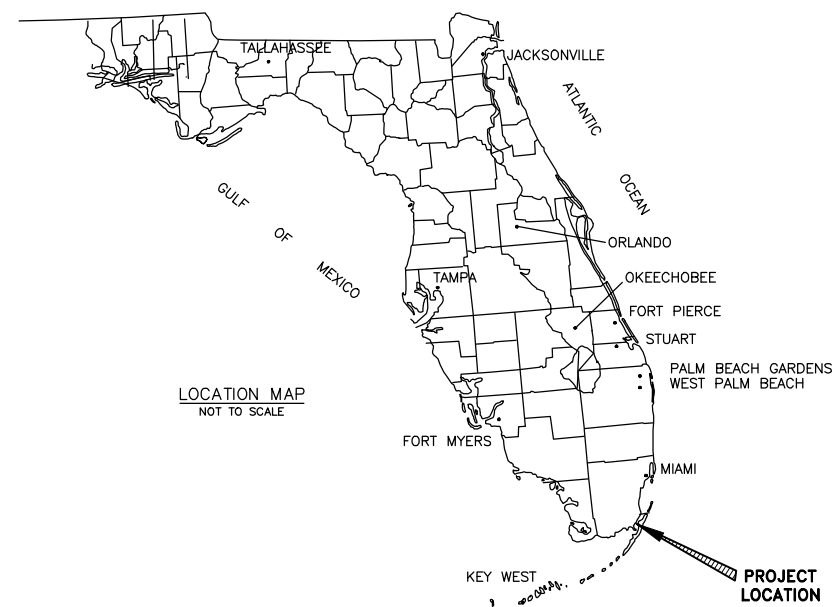


UPPER FLORIDAN AQUIFER WELL AND WELL HEAD CONSTRUCTION PLANS FOR FLORIDA POWER AND LIGHT COMPANY



VICINITY MAP

SHEET INDEX

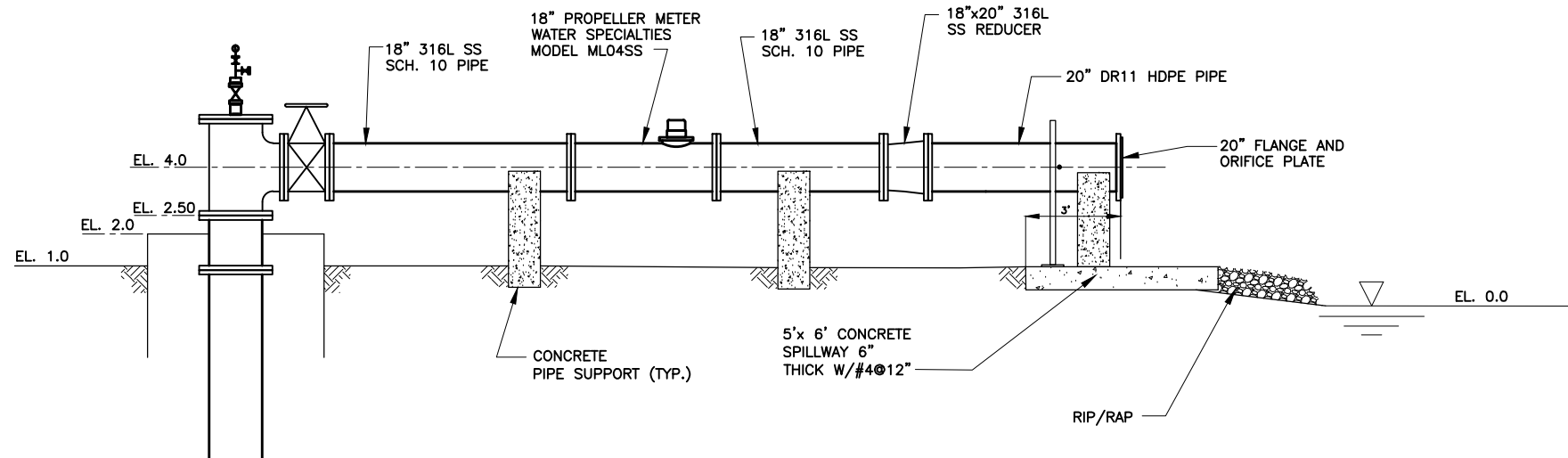
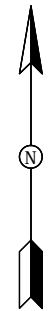
SHEET NO.	SHEET TITLE/DESCRIPTION
G-1	COVER
C-1	SITE PLAN WELL F-3
C-2	SITE PLAN WELL F-4
C-3	SITE PLAN WELL F-5
C-4	SITE PLAN WELL F-6
M-1	PLAN AND PROFILE WELLS F-3 - F-6
D-1	DETAILS

FPL TURKEY POINT CCS SALINITY REDUCTION PROGRAM WELLS F-3, F-4, F-5 & F-6

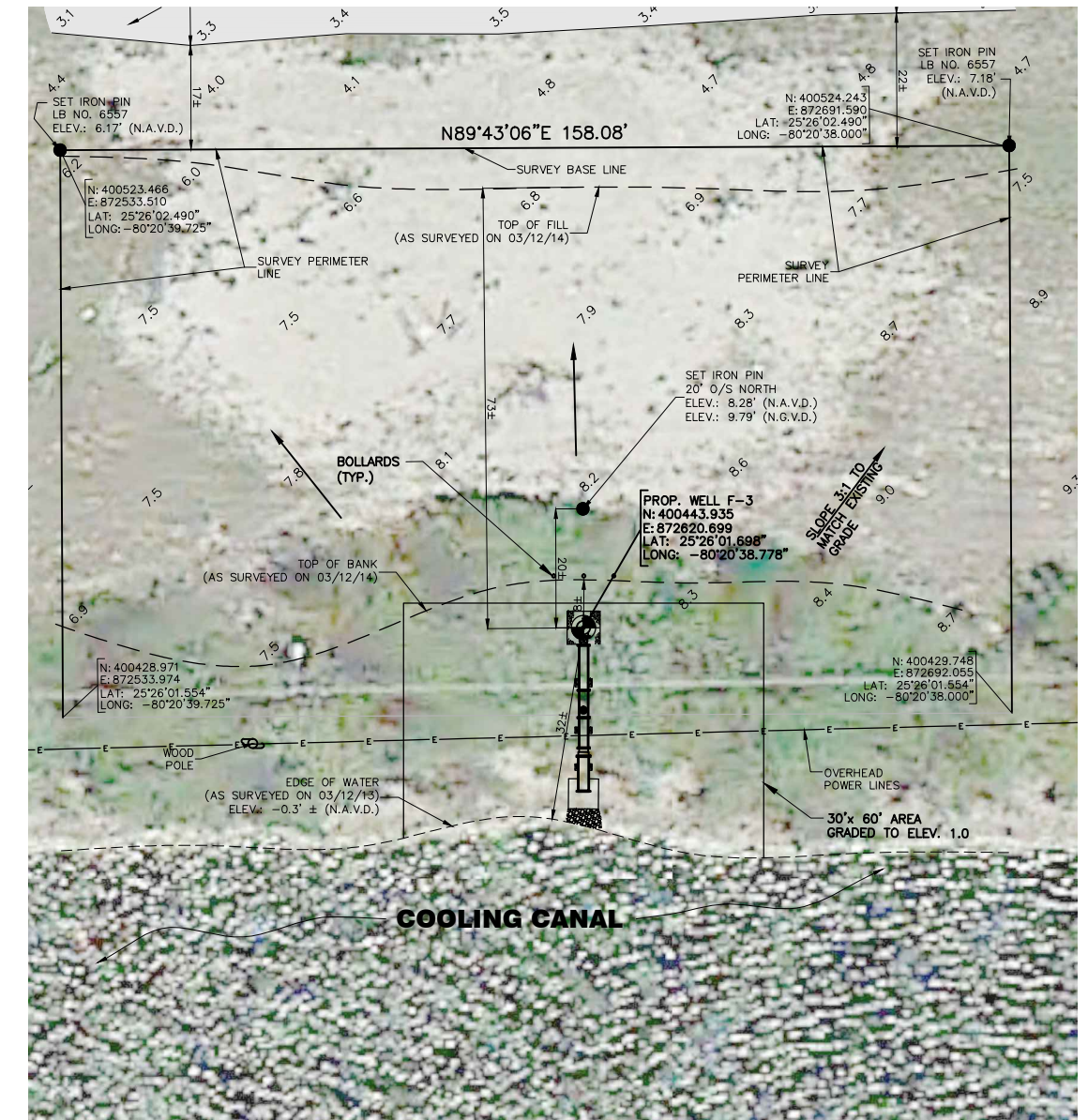
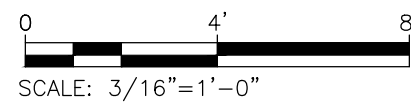
MAY 2014

NOTE:

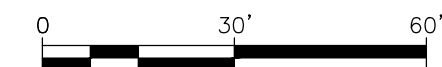
1. ALL ELEVATIONS ARE NAVD 88
2. ALL STAINLESS STEEL PIPING TO BE ASME 312 TYPE 316L SCH. 10
3. ALL MATERIAL SHALL BE ASME 312 TYPE 316L COMPATIBLE.
4. FLOW METER SHALL BE WATER SPECIALTIES MODEL ML04-SS, 150 PSI 316 STAINLESS STEEL FLANGED TUBE METER.
5. HDPE TYPE SHALL BE P.E. 3408 DR11 DIPS
6. CONCRETE WELL HEAD SHALL BE 7,000 PSI MIN.
7. FLANGES SHALL BE ANSI B16.1 DIMENSIONS
8. CONTRACTOR TO PROVIDE ORIFICE PLATE. ORIFICE DIMENSIONS TO BE DETERMINED BY PURCHASER (FPL)
9. ALL PIPE, FITTINGS, AND VALVES SHALL BE RATED AT 150 PSI MIN.



WELL PROFILE VIEW
SCALE 3/16"=1'-0"

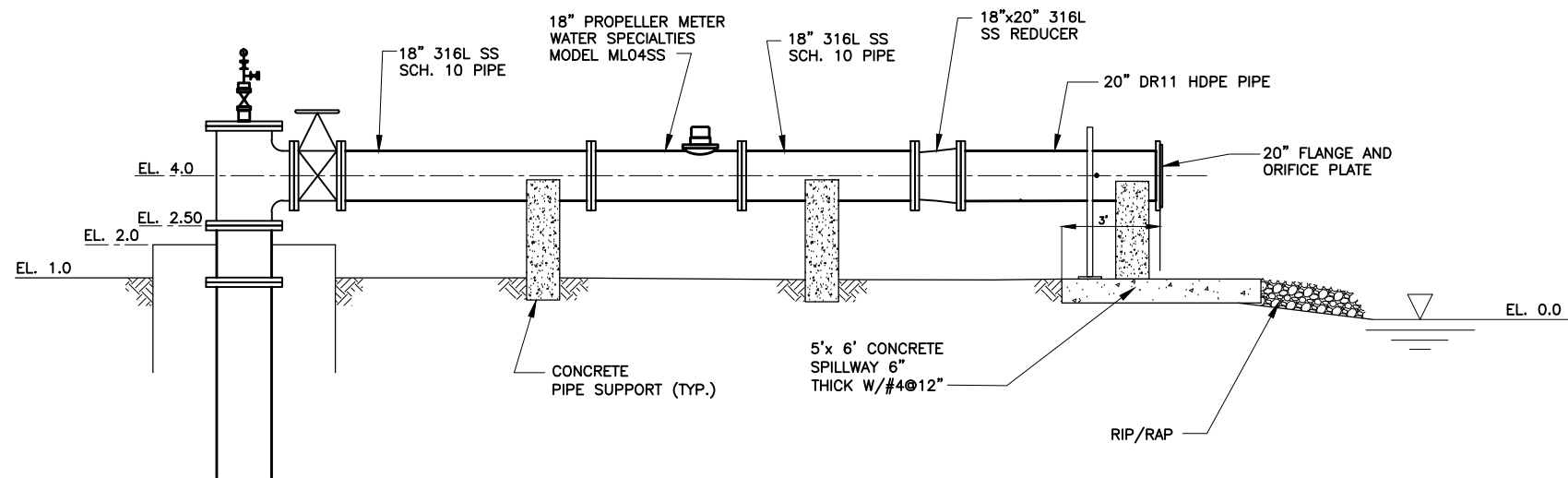
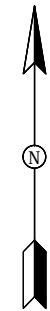


WELL F-3 PLAN VIEW

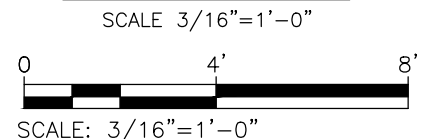


NOTE:

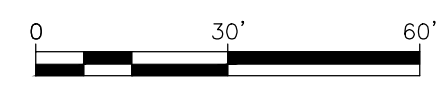
1. ALL ELEVATIONS ARE NAVD 88
2. ALL STAINLESS STEEL PIPING TO BE ASME 312 TYPE 316L SCH. 10
3. ALL MATERIAL SHALL BE ASME 312 TYPE 316L COMPATIBLE.
4. FLOW METER SHALL BE WATER SPECIALTIES MODEL ML04-SS, 150 PSI 316 STAINLESS STEEL FLANGED TUBE METER.
5. HDPE TYPE SHALL BE P.E. 3408 DR11 DIPS
6. CONCRETE WELL HEAD SHALL BE 7,000 PSI MIN.
7. FLANGES SHALL BE ANSI B16.1 DIMENSIONS
8. CONTRACTOR TO PROVIDE ORIFICE PLATE. ORIFICE DIMENSIONS TO BE DETERMINED BY PURCHASER (FPL)
9. ALL PIPE, FITTINGS, AND VALVES SHALL BE RATED AT 150 PSI MIN.



WELL PROFILE VIEW

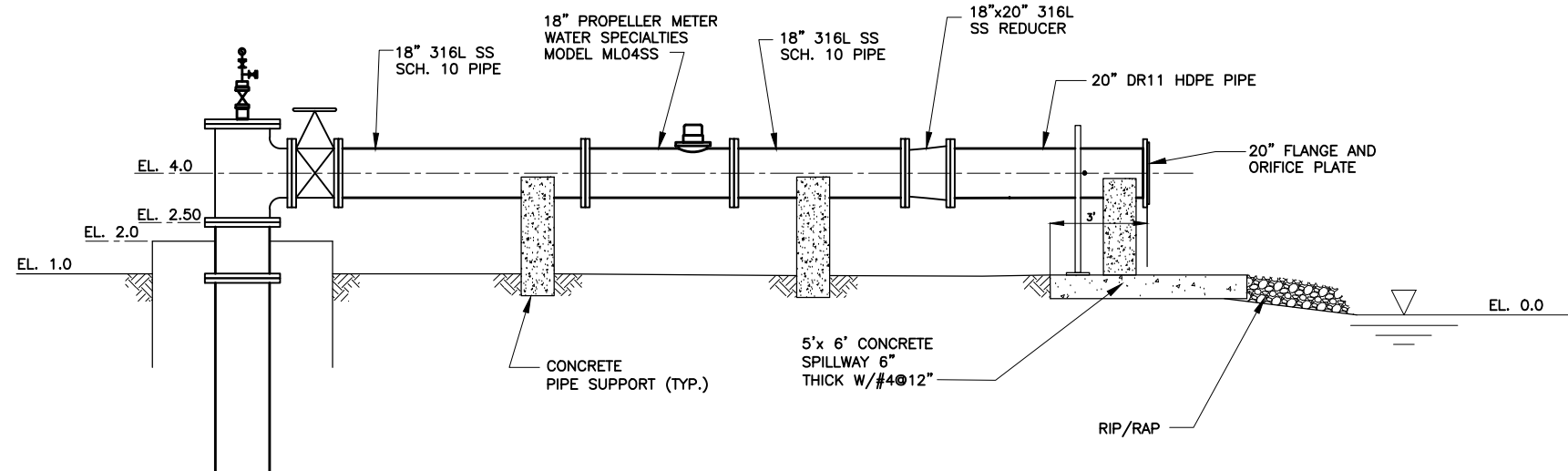
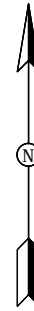


WELL F-4 PLAN VIEW



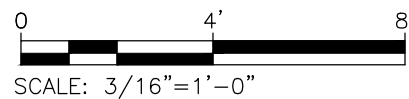
NOTE:

1. ALL ELEVATIONS ARE NAVD 88
2. ALL STAINLESS STEEL PIPING TO BE ASME 312 TYPE 316L SCH. 10
3. ALL MATERIAL SHALL BE ASME 312 TYPE 316L COMPATIBLE.
4. FLOW METER SHALL BE WATER SPECIALTIES MODEL ML04-SS, 150 PSI 316 STAINLESS STEEL FLANGED TUBE METER.
5. HDPE TYPE SHALL BE P.E. 3408 DR11 DIPS
6. CONCRETE WELL HEAD SHALL BE 7,000 PSI MIN.
7. FLANGES SHALL BE ANSI B16.1 DIMENSIONS
8. CONTRACTOR TO PROVIDE ORIFICE PLATE. ORIFICE DIMENSIONS TO BE DETERMINED BY PURCHASER (FPL)
9. ALL PIPE, FITTINGS, AND VALVES SHALL BE RATED AT 150 PSI MIN.

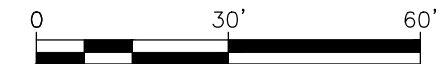


WELL PROFILE VIEW

SCALE 3/16"=1'-0"

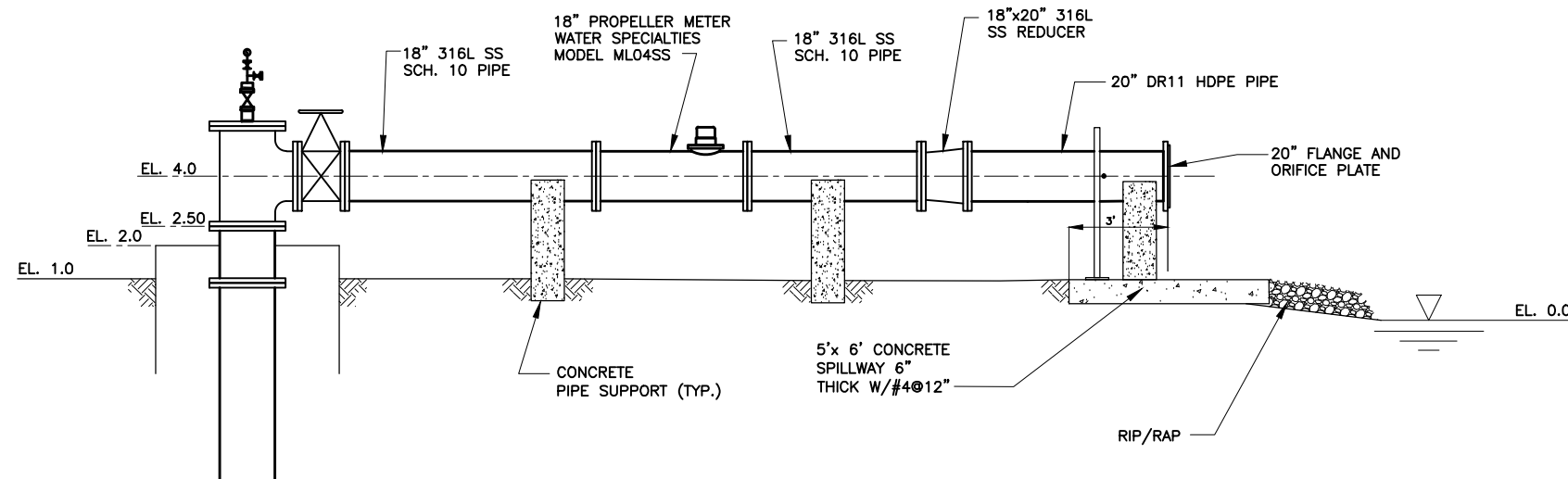
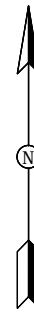


WELL F-5 PLAN VIEW



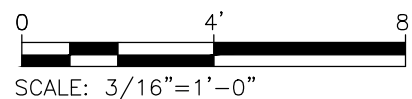
NOTE:

1. ALL ELEVATIONS ARE NAVD 88
2. ALL STAINLESS STEEL PIPING TO BE ASME 312 TYPE 316L SCH. 10
3. ALL MATERIAL SHALL BE ASME 312 TYPE 316L COMPATIBLE.
4. FLOW METER SHALL BE WATER SPECIALTIES MODEL ML04-SS, 150 PSI 316 STAINLESS STEEL FLANGED TUBE METER.
5. HDPE TYPE SHALL BE P.E. 3408 DR11 DIPS
6. CONCRETE WELL HEAD SHALL BE 7,000 PSI MIN.
7. FLANGES SHALL BE ANSI B16.1 DIMENSIONS
8. CONTRACTOR TO PROVIDE ORIFICE PLATE. ORIFICE DIMENSIONS TO BE DETERMINED BY PURCHASER (FPL)
9. ALL PIPE, FITTINGS, AND VALVES SHALL BE RATED AT 150 PSI MIN.

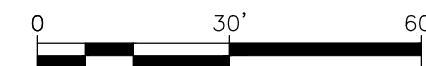


WELL PROFILE VIEW

SCALE 3/16"=1'-0"

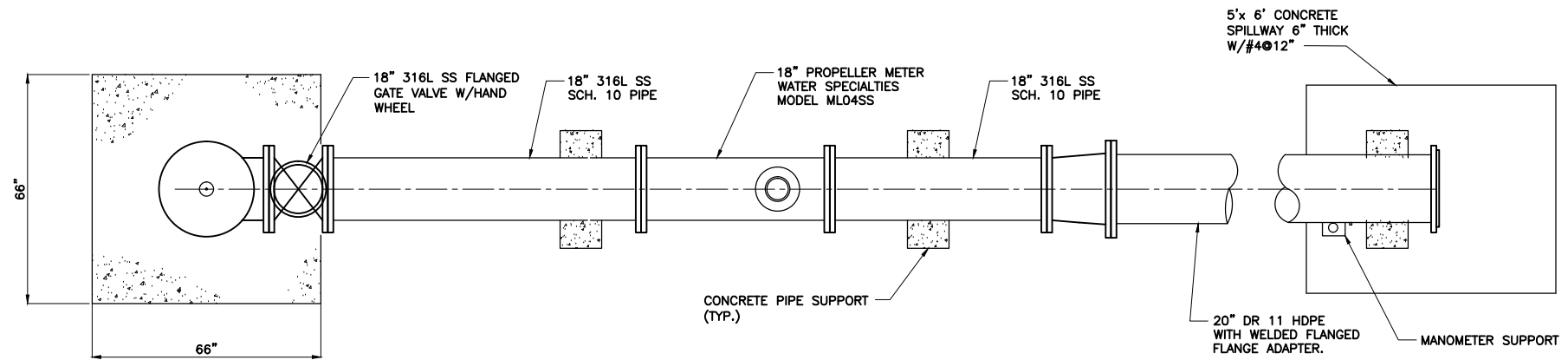


WELL F-6 PLAN VIEW

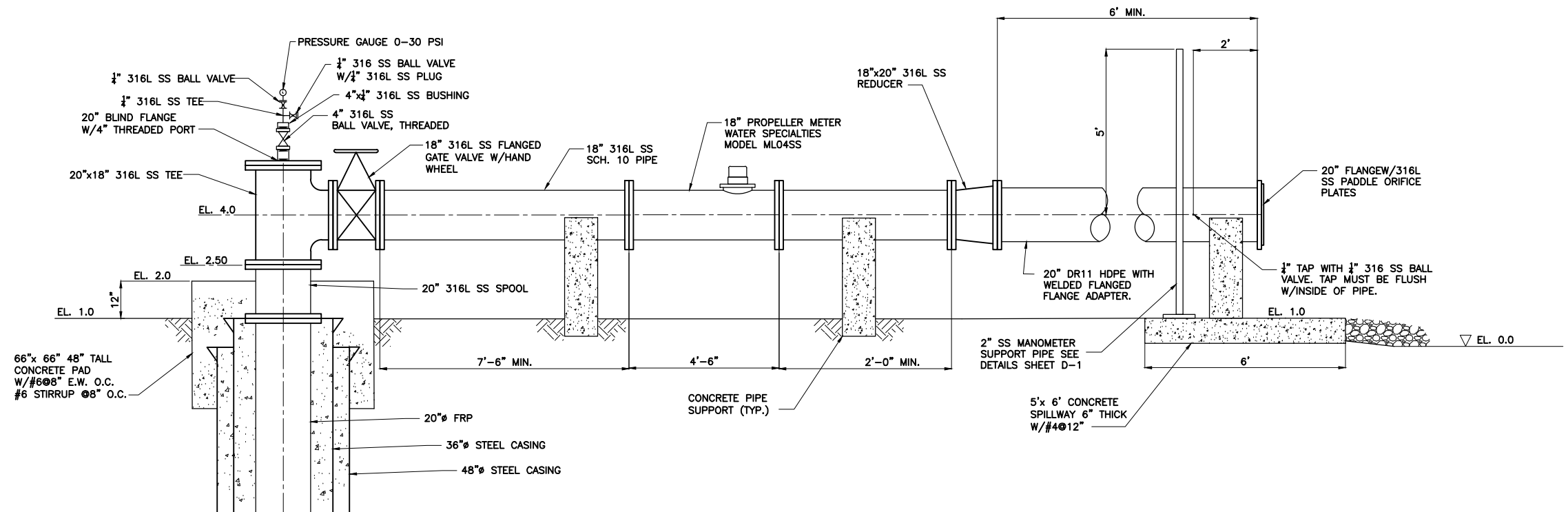


NOTE:

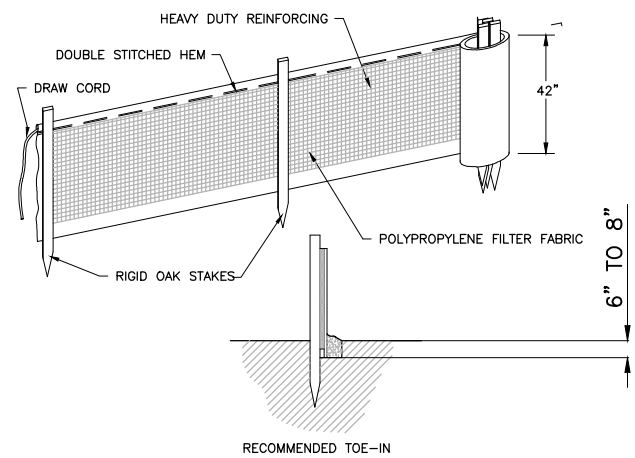
1. ALL ELEVATIONS ARE NAVD 88
2. ALL STAINLESS STEEL PIPING TO BE ASME 312 TYPE 316L SCH. 10
3. ALL MATERIAL SHALL BE ASME 312 TYPE 316L COMPATIBLE.
4. FLOW METER SHALL BE WATER SPECIALTIES MODEL ML04-SS, 150 PSI 316 STAINLESS STEEL FLANGED TUBE METER.
5. HDPE TYPE SHALL BE P.E. 3408 DR11 DIPS
6. CONCRETE WELL HEAD SHALL BE 7,000 PSI MIN.
7. FLANGES SHALL BE ANSI B16.1 DIMENSIONS
8. CONTRACTOR TO PROVIDE ORIFICE PLATE. ORIFICE DIMENSIONS TO BE DETERMINED BY PURCHASER (FPL)
9. ALL PIPE, FITTINGS, AND VALVES SHALL BE RATED AT 150 PSI MIN.



WELL HEAD PLAN
SCALE: 1/4" = 1'-0"



WELL HEAD SECTION
SCALE: 1/4" = 1'-0"

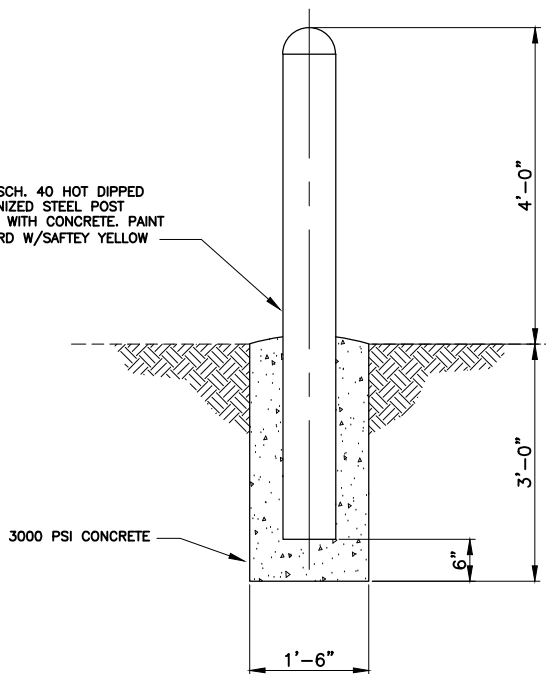


NOTES:

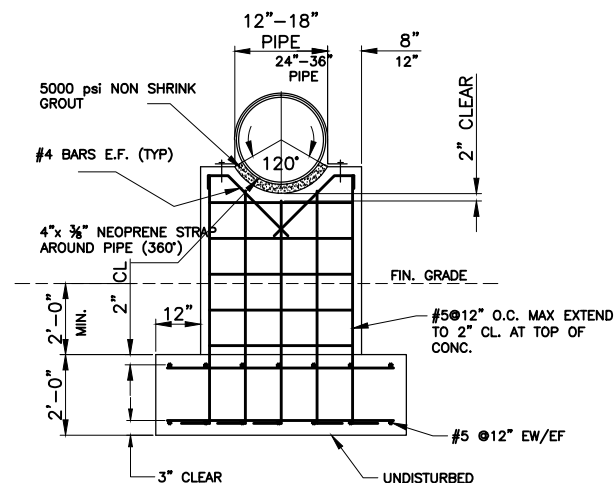
1. SILT FENCE SHALL BE INSTALLED ON BOTH SIDES OF THE PIPELINE CORRIDOR EXCEPT IN THE FOLLOWING AREAS, WHERE IT SHALL ONLY BE INSTALLED ON 1 SIDE OF THE PIPELINE CORRIDOR:
 . STA. 86+00 TO STA. 102+00
 . STA. 233+00 TO STA. 255+00
2. SILT FENCE SHALL BE INSTALLED PER MANUFACTURES SPECIFICATIONS PRIOR TO THE START OF CONSTRUCTION AND SHALL NOT BE REMOVED UNTIL CONSTRUCTION IS COMPLETE.
3. THE CONTRACTOR SHALL INSPECT AND REPAIR THE SILT FENCE AFTER EACH RAIN EVENT AND REMOVE SEDIMENT WHEN NECESSARY.
4. REMOVED SEDIMENT SHALL BE DEPOSITED IN AN AREA THAT WILL NOT CONTRIBUTE SEDIMENT OFFSITE AND CAN BE PERMANENTLY STABILIZED.
5. THE SILT FENCE SHALL BE PLACED ON SLOPE CONTOUR TO MAXIMIZE ITS PONDING EFFICIENCY.
6. IF DITCH LEVEL IS DEEPER THAN 30", THEN A FLOATING SILT SCREEN SHALL BE USED.

SILT FENCE DETAIL
N.T.S.

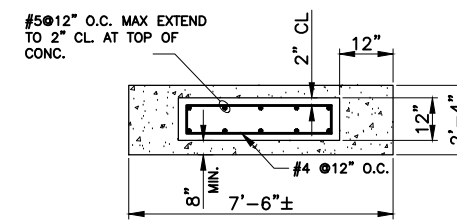
6" Ø SCH. 40 HOT DIPPED GALVANIZED STEEL POST FILLED WITH CONCRETE. PAINT BOLLARD W/SAFTEY YELLOW



BOLLARD DETAIL
N.T.S.

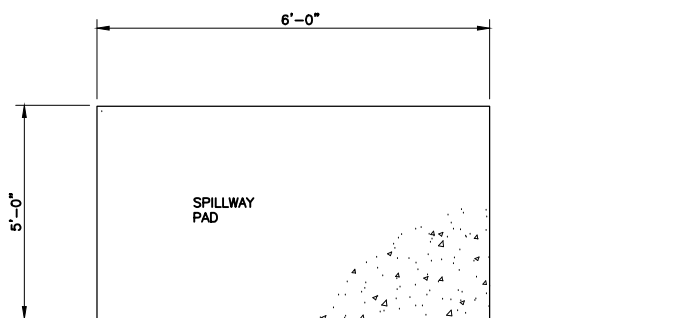


SIDE VIEW

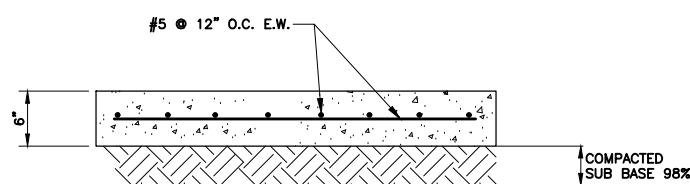


TOP VIEW

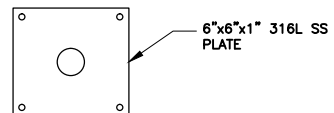
OFF SLAB CONCRETE PIPE SUPPORT
N.T.S.



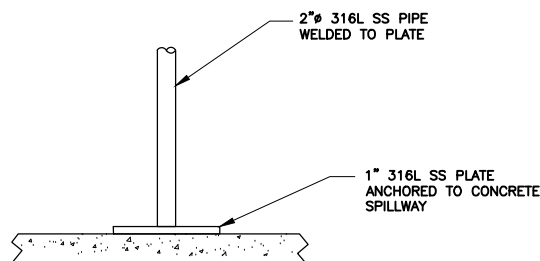
PLAN



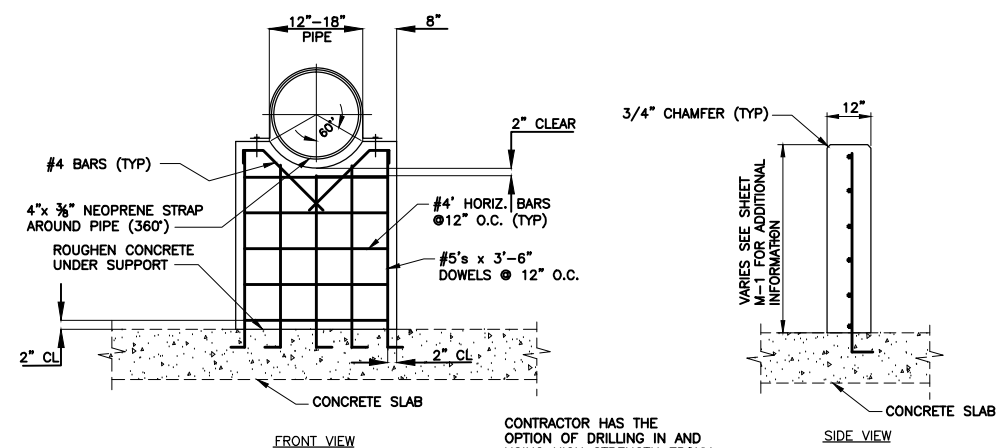
CONCRETE SPILLWAY DETAIL
N.T.S.



6"x6"x1" 316L SS PLATE



MANOMETER SUPPORT DETAIL
N.T.S.



FRONT VIEW

SIDE VIEW

CONTRACTOR HAS THE OPTION OF DRILLING IN AND USING HIGH STRENGTH EPOXY ON THE VERTICAL DOWELS INSTEAD OF HOOKED DOWELS.

CONCRETE PIPE SUPPORT ANCHORED TO SLAB
N.T.S.