

**MERIDITH CORPORATION**  
**WATER SUPPLY CONTRACTORS**  
MUNICIPAL & INDUSTRIAL WELL DRILLING  
TURBINE & SUBMERSIBLE PUMP DISTRIBUTORS

2911 W. WASHINGTON STREET  
ORLANDO, FLORIDA 32805  
407/295-2641

September 10, 1992

Camp, Dresser & McKee, Inc  
1500 NW 49th Street  
Suite 300  
Fort Lauderdale, FL 33310

ATTENTION: Fred Meyer

Dear Mr. Meyer,

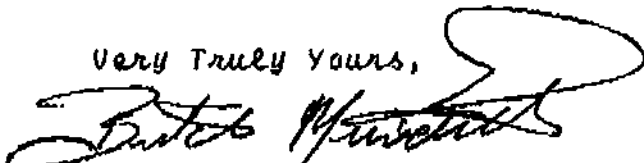
We propose to furnish labor and equipment to construct one (1) Monitoring Well consisting of 400 ft or 14" steel casing, 960 ft of 6" PVC casing and a total Depth of 1128 ft.

All casing will be cemented in place, no logging, developing or testing is included in the figures below.

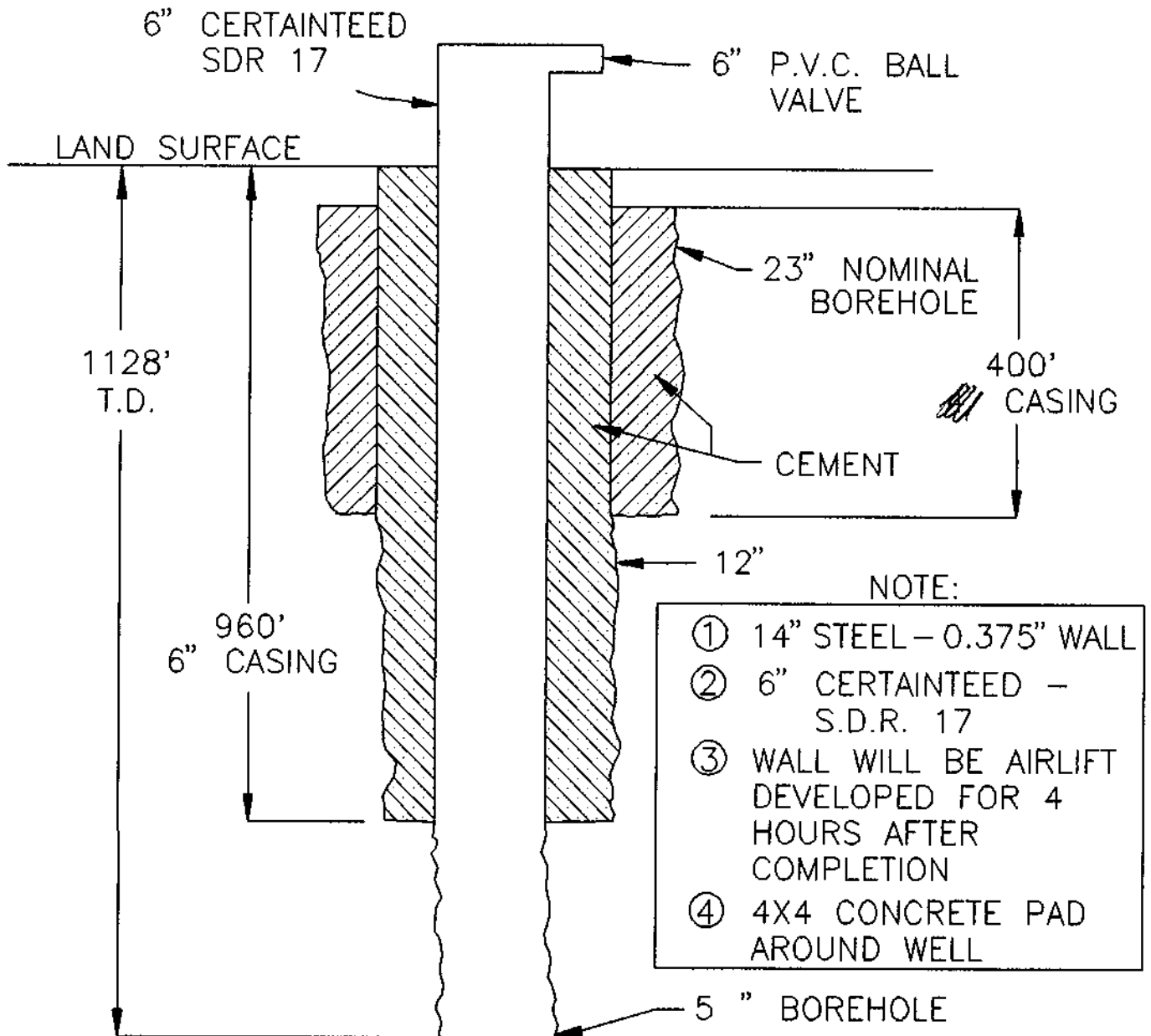
Well as described	\$89,850.00
Additional drilling if required	18.00 P/FT
Plug back material if required	15.00 P/ CU FT

If you have any questions please contact us at anytime.

Very Truly Yours,

  
Butch Meridith

# Deefield Beach Monitor Well Design



Deerfield Beach Site  
at the Water Treatment Plant

