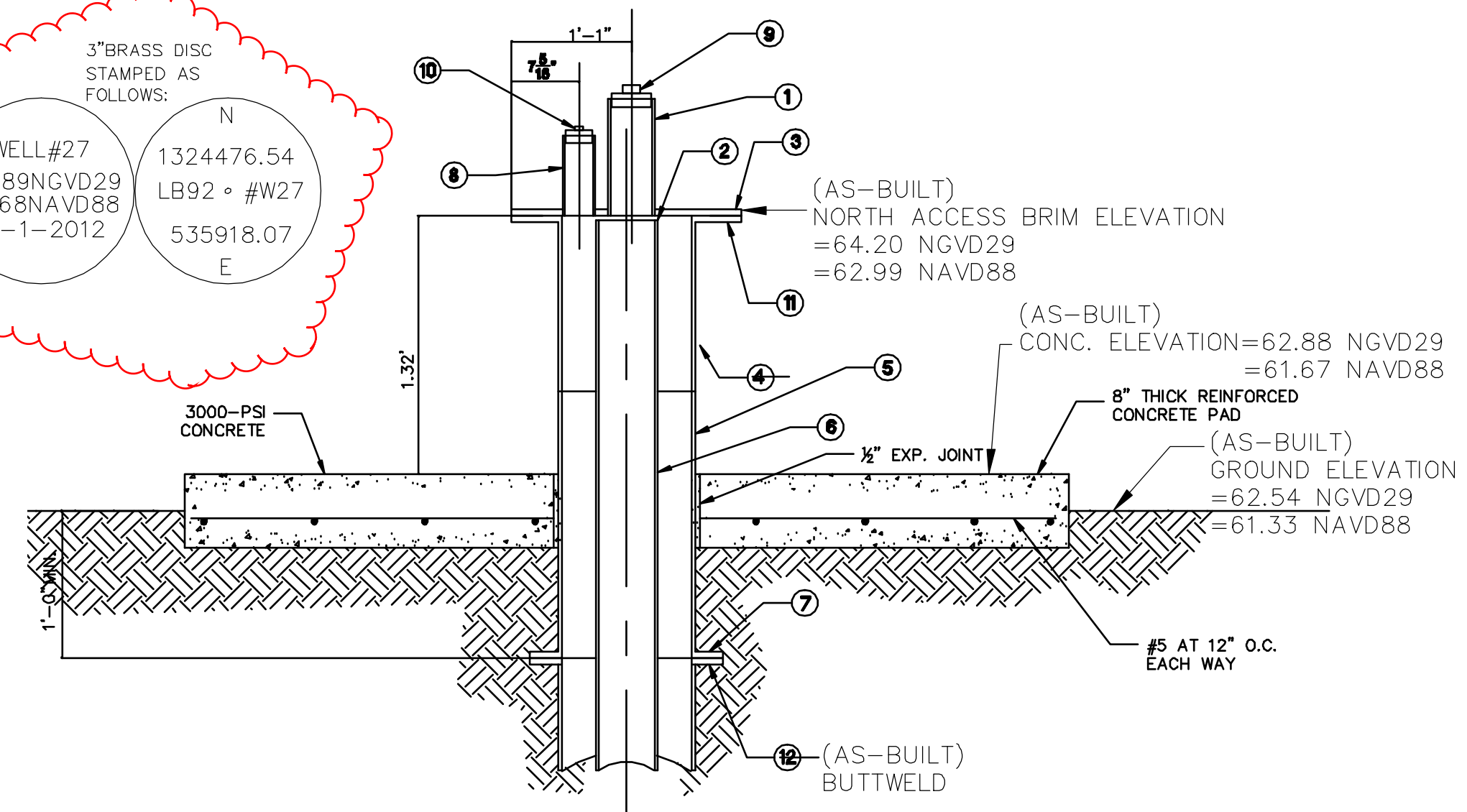
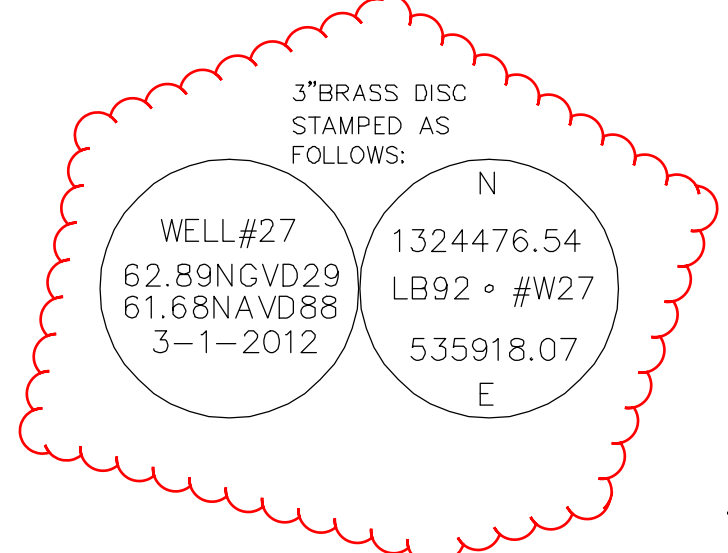


GRID N: 1324547.05  
 GRID E: 535945.23  
 SET 60d NAIL TRAVERSE POINT  
 WELL 27  
 GRID N: 1324474.15  
 GRID E: 535917.99  
 LATITUDE: 27°58'36.691"  
 LONGITUDE: -81°22'21.229"  
 CENTER OF DISC (ON THE RIGHT)  
 GRID N: 1324476.54 GRID E: 535918.07

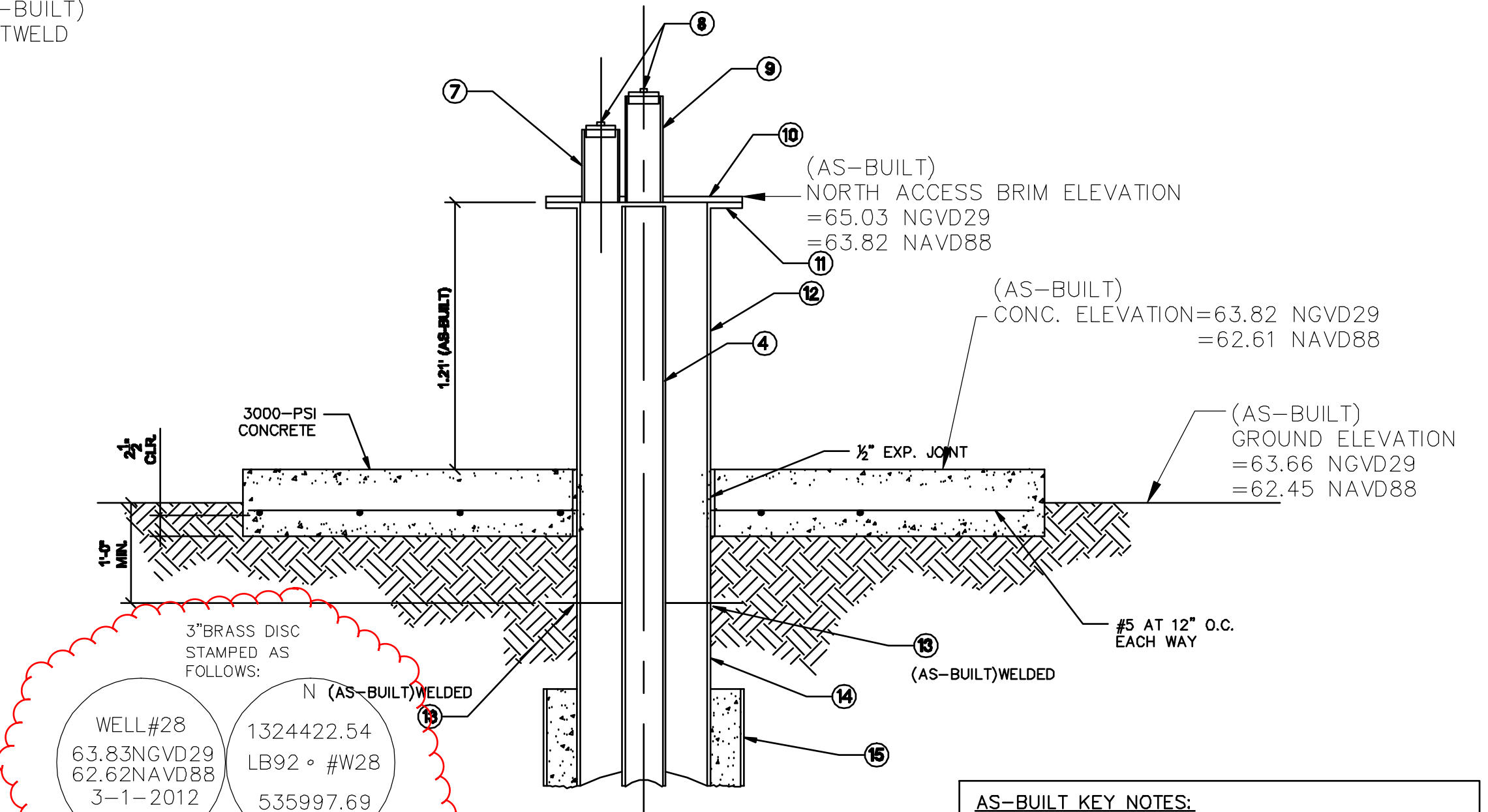
WELL 28  
 GRID N: 1324422.021  
 GRID E: 536000.039  
 LATITUDE: 27°58'36.177"  
 LONGITUDE: -81°22'20.312"  
 CENTER OF DISC (ON THE RIGHT)  
 GRID N: 1324422.52 GRID E: 535997.69

GRID N: 1324359.82  
 GRID E: 536178.50  
 SET 60d NAIL TRAVERSE POINT

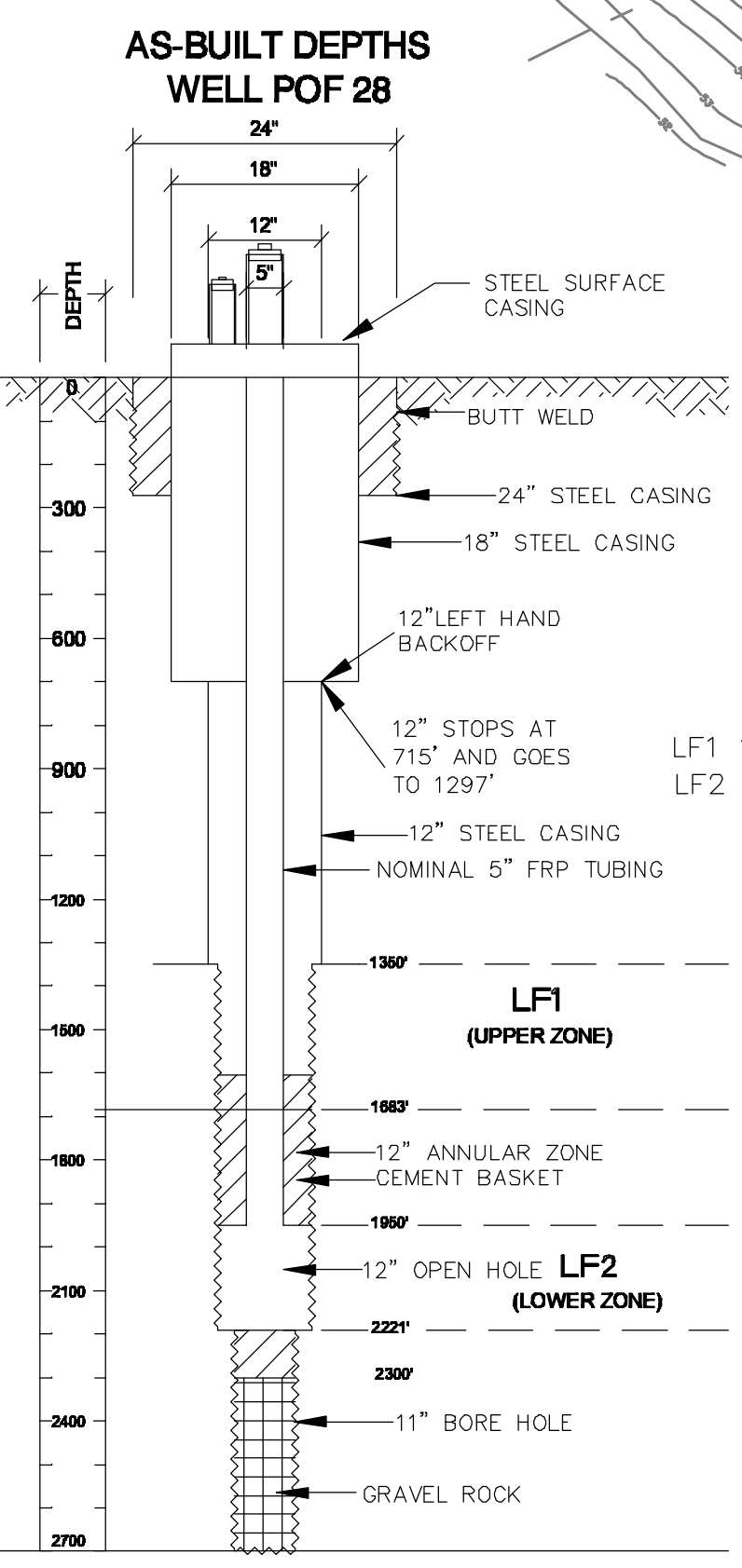
WELL 29  
 GRID N: 1324262.092  
 GRID E: 536229.382  
 LATITUDE: 27°58'34.601"  
 LONGITUDE: -81°22'17.749"  
 CENTER OF DISC (ON THE RIGHT)  
 GRID N: 1324263.97 GRID E: 536228.71



- AS-BUILT KEY NOTES:**
- ① 4" SCH 40 X 1'-0" SST PIPE NIPPLE (THREADED ENDS)
  - ② TERMINATE 6" PIPE 1/2" BELOW BLIND FLANGE
  - ③ 14" SST AWWA CLASS B BLIND FLANGE
  - ④ 18" X 14" SST REDUCER (STANDARD WALL) NOT INSTALLED
  - ⑤ 14" SST PIPE (STANDARD WALL)
  - ⑥ 6" SCH 40 C.S. PIPE
  - ⑦ 14" SST AWWA CLASS B FLANGE
  - ⑧ 4" SCH 40 X 0'-8" SST PIPE NIPPLE (THREADED ENDS)
  - ⑨ 4" STANDARD THREADED MALE PIPE PLUG
  - ⑩ 4" STANDARD THREADED MALE PIPE PLUG
  - ⑪ 14" SST AWWA CLASS B FLANGE
  - ⑫ 14" G.S. AWWA CLASS B FLANGE NOT INSTALLED

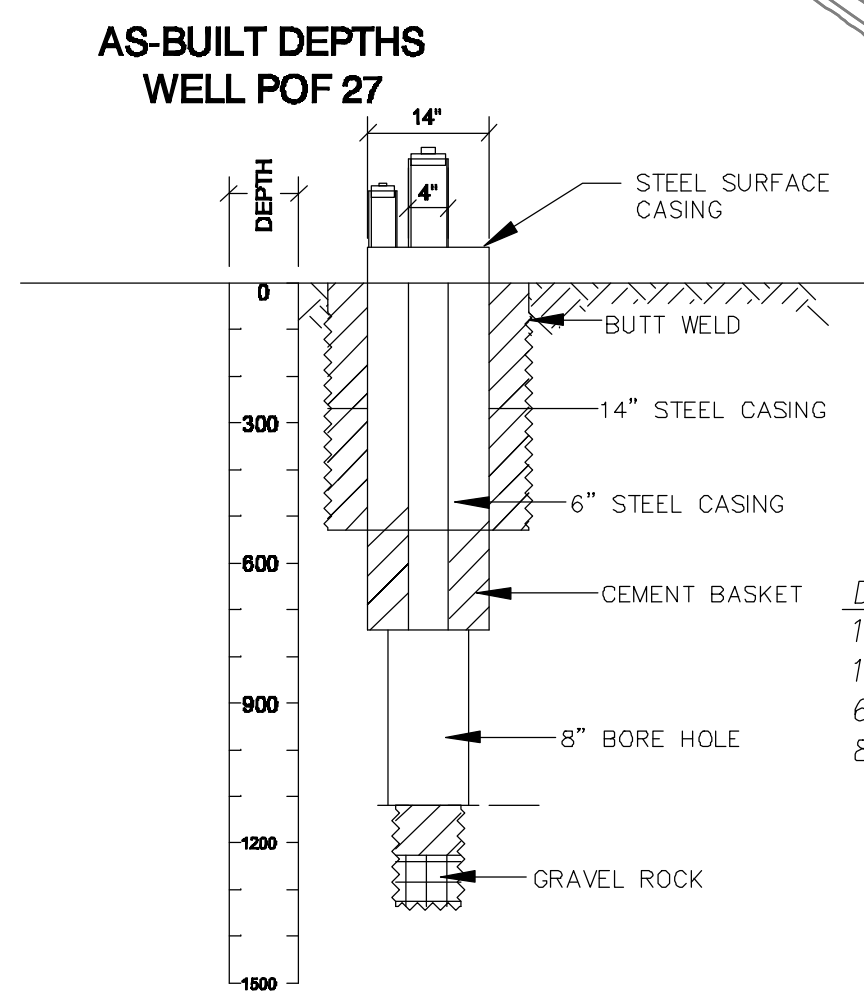


- AS-BUILT KEY NOTES:**
- ① 5" THREADED FRP GLOUSEOUT-PLUG
  - ② 2" C.S. ACCESS PORT WITH THREADED STEEL PLUG
  - ③ 3/8" STEEL PLATE
  - ④ 5" FRP PIPE
  - ⑤ 18" G.S. CASING
  - ⑥ 24" C.S. CASING
  - ⑦ 4" SCH 40 X 0'-8" SST PIPE WITH THREADS
  - ⑧ 4" SCH 40 SST THREADED MALE PLUG
  - ⑨ 4" SCH 40 X 1'-0" SST PIPE WITH THREADED ENDS
  - ⑩ 18" SST AWWA CLASS B BLIND FLANGE
  - ⑪ 18" SST AWWA CLASS B FLANGE
  - ⑫ 18" SST PIPE (STANDARD WALL)
  - ⑬ 16" SST AWWA CLASS B FLANGE
  - ⑭ 18" C.S. CASING
  - ⑮ 24" C.S. CASING



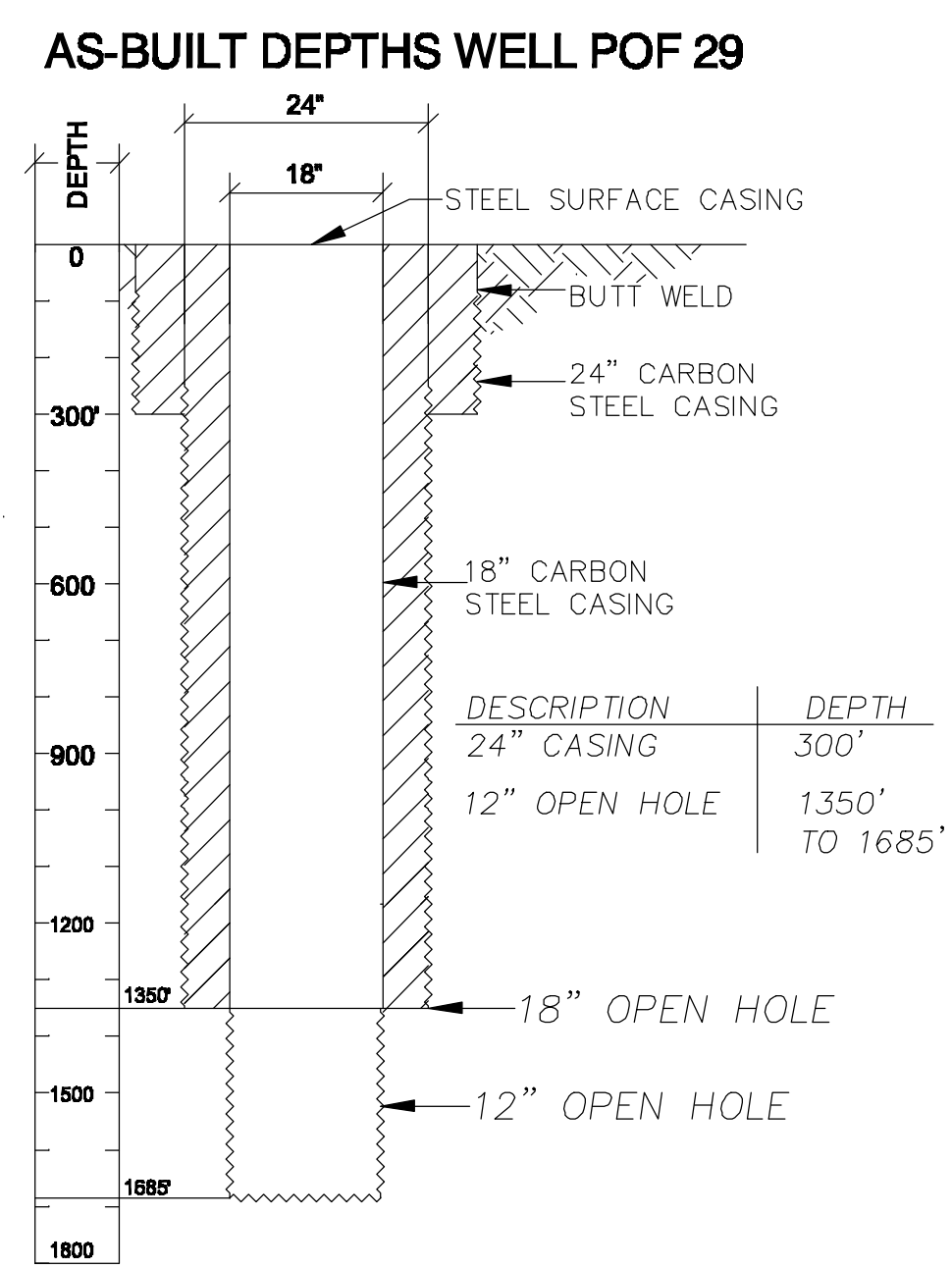
**AS-BUILT DEPTHS WELL POF 28**

DESCRIPTION	DEPTH
24" CASING	270'
18" CASING	750'
12" CASING	715' TO 1297'
LF1 12" ANNULAR ZONE	1297' TO 1683'
LF2 12" OPEN HOLE	1950' TO 2221'



**AS-BUILT DEPTHS WELL POF 27**

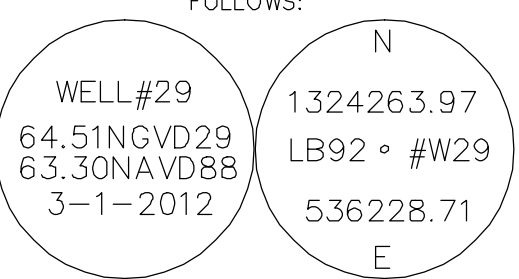
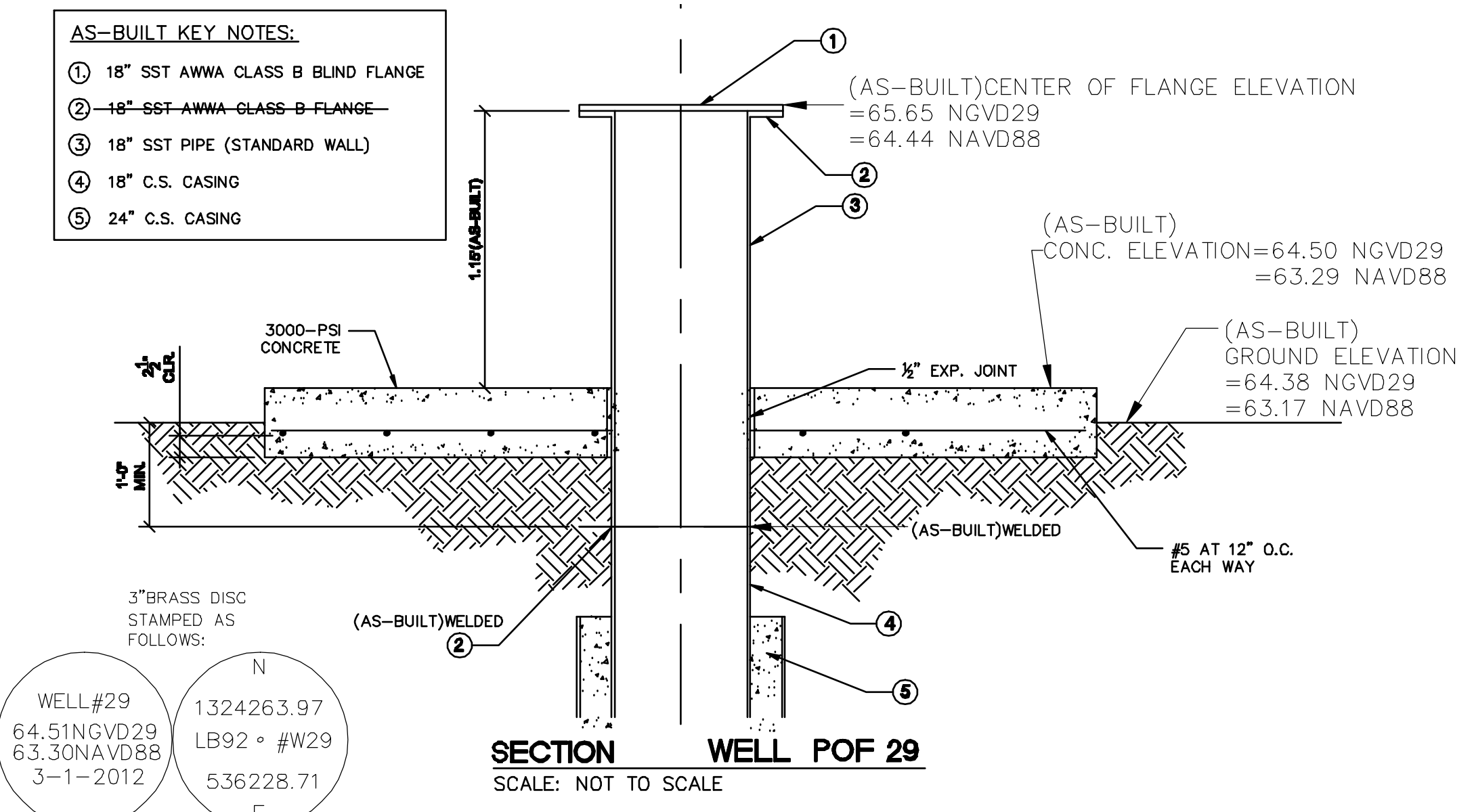
DESCRIPTION	DEPTH
14" CASING	275'
14" OPEN HOLE	529'
6" CASING	750'
8" OPEN HOLE	1105'



**AS-BUILT DEPTHS WELL POF 29**

DESCRIPTION	DEPTH
24" CASING	300'
12" OPEN HOLE	1350' TO 1685'
18" OPEN HOLE	
12" OPEN HOLE	

- AS-BUILT KEY NOTES:**
- ① 18" SST AWWA CLASS B BLIND FLANGE
  - ② 18" SST AWWA CLASS B FLANGE
  - ③ 18" SST PIPE (STANDARD WALL)
  - ④ 18" C.S. CASING
  - ⑤ 24" C.S. CASING



C-37 CANAL

LATITUDE: 27°58'31.392"  
 LONGITUDE: -81°22'12.254"  
 DEP x505 2001  
 Found concrete monument  
 benchmark elevation  
 NGVD29 = 58.67'  
 NAVD88 = 57.46'  
 GRID N: 1323936.56  
 GRID E: 536721.04

POINT 204  
 found 5/8" iron rod  
 cap "ref lb 364"  
 N: 15886022.14  
 E: 6440404.42

**SURVEYOR'S NOTES:**

- North and coordinates shown hereon are based on the East Zone of the Florida State Plane Coordinate System, North American Datum (NAD83). Based on site control point DEP x505 2001 and Point 204 per Pickett & Associates, Inc. as shown on construction plans. The coordinates shown hereon were derived using RTK based on the above referenced site control.
- This survey is for as-built information only and is not a certification of correctness.
- Vertical information depicted on this survey is based on site control point DEP x505 2001. Based on site control point DEP x505 2001 per Pickett & Associates, Inc. as shown on construction plans. National Geodetic Vertical Datum of 1929 (NGVD29). The as-built elevations shown hereon were derived from a 3rd order level run.

**All Webb's Enterprises, Inc.**  
 Juniper, Florida

**AS-BUILT SURVEY - WELLS 27, 28 AND 29**  
 SECTION 12, TOWNSHIP 29 SOUTH, RANGE 29 EAST  
 POLK COUNTY, FLORIDA

**W.A. READ, JR. & ASSOCIATES**  
 FLORIDA CERTIFICATE NUMBER 082  
 510 SOUTH CENTRAL AVENUE  
 BARTOW, FLORIDA

Drawn By: mc/dlp Drawing No: 786401  
 SCALE: 1"=500' Date: 10/27/11 revised 3-1-2012

Florida Registered Land Surveyor No.1311