

Hillsboro Canal (PBF-10, 11, 12)

Site Description: Open lot next to the Hillsboro Canal

Lat / Long: 262120.286 / 801745.837 (10) **Datum:** NAD - 83

Site Owner: S.F.W.M.D.

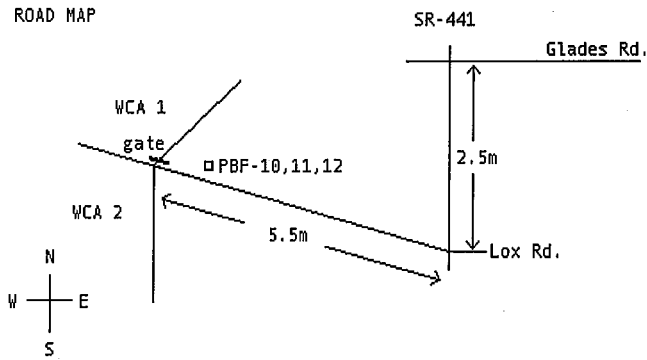
U.S.G.S. ID:

Site Contact: Michael Bennett

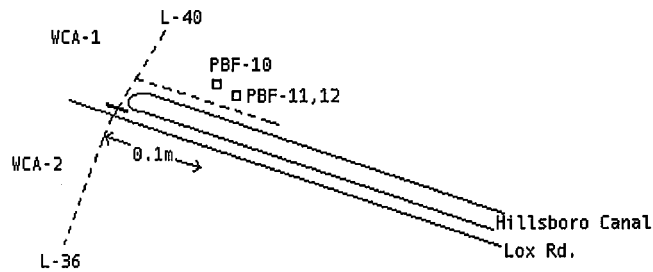
Contact Number: 561-682-6822

Written Directions: From the intersection of Glades Rd. and SR-441, travel south on SR-441 2.5 miles to Lox Rd. Turn west (right) on Lox Rd. and travel 5.5 miles. Before entering the Conservation Area, there are yellow gates on the right. The gates have a Conservation Area key. The wells are on the north side of the Hillsboro canal, approx. 0.1 miles east of the gate.

ROAD MAP



SITE MAP



Well Info: